



VF4

Push Back Probe 157 mil Round Tip Styles

Centers (mm/mil)	4,00 / 157
Current	10,0 A
Current (Switch Receptacle)	1,0 A
R typ	30 mOhm
Temperature	-45°C...+100°C

Spring Force (cN ±20%)		
Version	Preload	Nominal
Standard	80	300
Standard	100	500
Standard	300	1000
Standard	300	1500
Standard	300	2000
Standard	300	2500

Travel (mm)		
Version	Nominal	Maximum
Standard	5,0	5,5
Thread (M)		2,5x0,35
Wrench Size		2,5
Pointing Accuracy		±0,10 mm

Materials and Plating	
Plunger	see Tip Style
Barrel	Brass, gold plated
Spring	Music wire, gold plated
Receptacles	Brass, gold plated

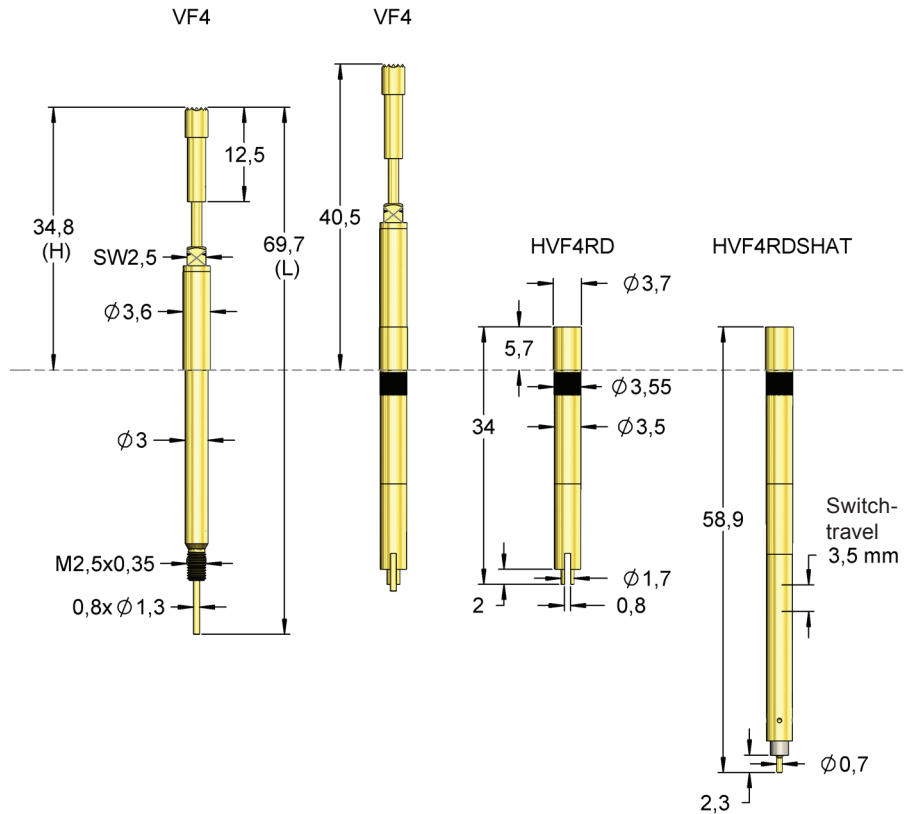
Accessories	
Alignment tool receptacle	FAWZVF4
Screw-in tool probe	FWZVF4S1 (T1) max. Ø3,1 mm
Screw-in tool probe	FWZVF4 (T) max. Ø4,0 mm

Drill Size (mm)	
HVF4...	3,48 - 3,49

Projection Height (mm)	
HVF4... with VF4	40,5

Series	Tip-Ø	Spring Force (N)
VF4	05	B 230
		G 15
	Tip Style	Material
		Plating
		Version

Material: B = BeCu,
Tip-Ø: 230 = 2,30 mm (e.g.)
Plating: G = Gold plated,
Receptacle: Order code according drawing



For the permissible leakage rate see information in the technical introduction. The receptacle HVF4SHATS1 is available with a switching travel of 4.5 mm.

Airtight I

Tip Style	Number	Material	Ø in mm	Plating	Version
	05	B	2,30	G	-
	05	B	3,00	G	-
	05	B	4,00	G	-
	06	B	2,40	G	-
	06	B	3,00	G	-
	06	B	4,00	G	-
	06	B	4,80	G	-
	11	B	1,80	G	-
	11	B	2,00	G	-
	11	B	2,30	G	-
	11	B	3,00	G	-
	11	B	3,70	G	-
	16	B	1,00	G	-
	16	B	1,40	G	-
	16	B	1,80	G	-
	16	B	2,00	G	-
	16	B	2,30	G	-
	17	B	3,00	G	-
	17	B	4,00	G	-
	50	B	3,00	G	-



VF4

NEW

Push Back Probe 157 mil, Elastic Tip Style

Centers (mm/mil)	4,00 / 157
Current	10,0 A
Current (Switch Receptacle)	1,0 A
R typ	30 mOhm
Temperature	-45°C...+100°C

Spring Force (cN ±20%)		
Version	Preload	Nominal
Standard	300	1500

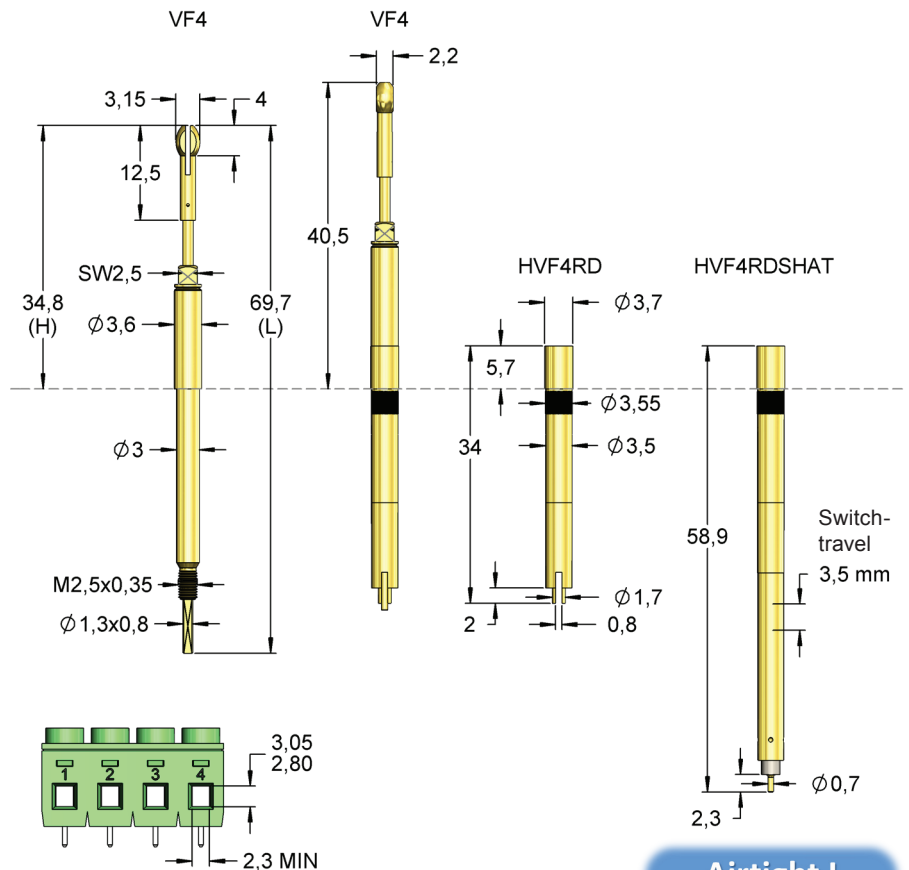
Travel (mm)		
Version	Nominal	Maximum
Standard	5,0	5,5
Thread (M)	2,5x0,35	
Wrench Size	2,5	
Pointing Accuracy	±0,10 mm	

Materials and Plating	
Plunger	see Tip Style
Barrel	Brass, gold plated
Spring	Music wire, gold plated
Receptacles	Brass, gold plated

Accessories	
Alignment tool receptacle	FAWZVF4
Screw-in tool probe	FWZVF4 (T) max. Ø4,0 mm

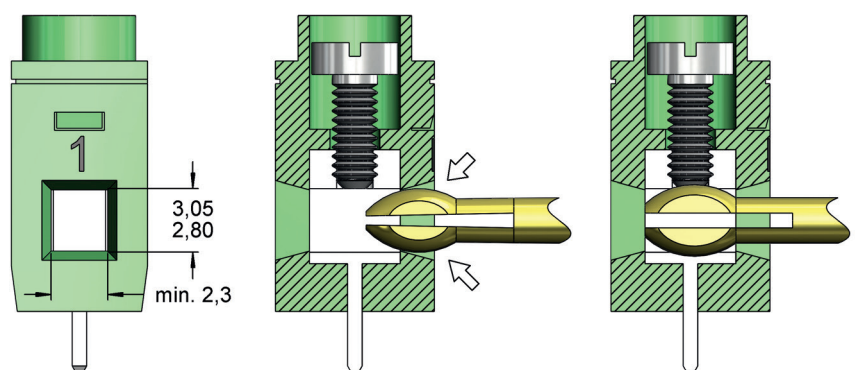
Drill Size (mm)	
HVF4...	3,48 - 3,49

Projection Height (mm)	
HVF4... with VF4	40,5



Airtight I

The elastic twist proof tip style 22 has been developed for contacting PCB-connectors. This tip styles makes sure that the contact elements within the connector cavity are contacted reliably. This tip style is currently available for connector MSTB 2,5/2-ST-5,08. The receptacle HVF4SHATS1 is available with a switching travel of 4.5 mm.



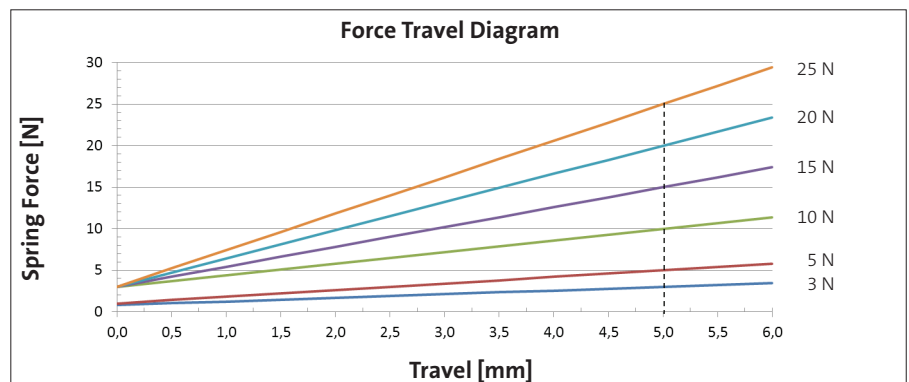
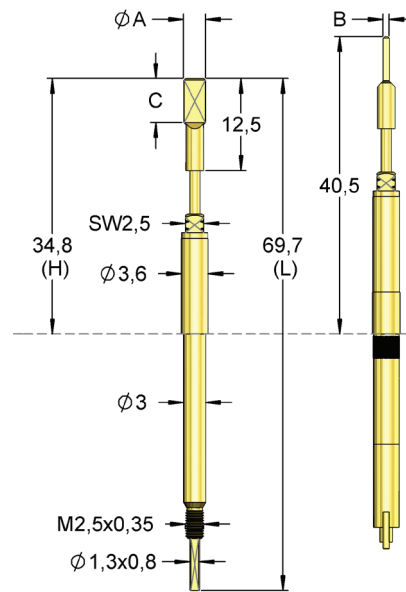
Order Code	Number	Ø A	B	C	H	L	Version	Screw-in tool
VF422B0001G15	22	3,15	2,20	4,00	40,50	69,70	-	FWZVF4; FWZVF4T



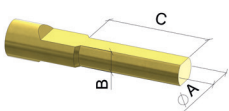
VF4

Push Back Probe 157 mil Spade Tip Styles

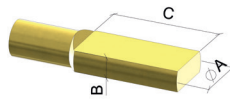
Centers (mm/mil)	4,00 / 157
Current	10,0 A
Current (Switch Receptacle)	1,0 A
R typ	30 mOhm
Temperature	-45°C...+100°C



KF81



KF83



Order Code	Number	Ø A	B	C	H	L	Version	Screw-in tool
VF481B0001Gxx	81	2,00	0,80	6,00	40,50	69,70	-	FWZVF4S1; FWZVF4T1
VF483B0009G15	83	2,20	1,30	6,00	40,50	69,70	-	FWZVF4S1; FWZVF4T1
VF483B0008G20	83	2,25	1,40	6,00	40,50	69,70	-	FWZVF4S1; FWZVF4T1
VF483B0003Gxx	83	2,25	1,60	6,00	40,50	69,70	-	FWZVF4S1; FWZVF4T1
VF483B0005Gxx	83	2,25	1,80	5,00	40,50	69,70	-	FWZVF4S1; FWZVF4T1
VF483B0006Gxx	83	2,50	0,60	6,00	40,50	69,70	-	FWZVF4S1; FWZVF4T1
VF483B0001Gxx	83	2,50	0,80	6,00	40,50	69,70	-	FWZVF4S1; FWZVF4T1
VF483B0002Gxx	83	3,00	0,80	6,00	40,50	69,70	-	FWZVF4S1; FWZVF4T1
VF483B0004Gxx	83	3,00	1,60	6,00	40,50	69,70	-	FWZVF4S1; FWZVF4T1