





Spring Force (xx)

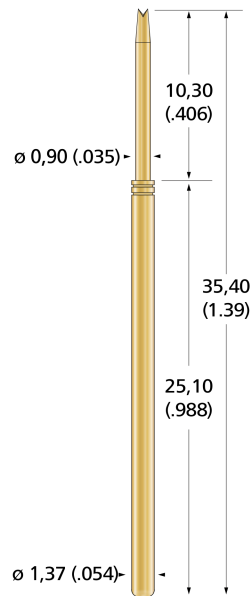
Preload	Rated Force	Code xx
0,3 N	1,0 N	10
0,35 N	1,5 N	15
0,4 N	2,0 N	20
0,5 N	2,5 N	25
0,8 N	3,0 N	30

	Ø 0,90	101.05.09.xx
	Ø 1,30	101.106.13.xx
	Ø 0,90	101.08.09.xx
	Ø 0,90	101.118.09.xx
	Ø 1,50	101.20.15.xx
	Ø 0,50	101.166.05.xx



For **XXLonglife-Nanocoating**
order as **101X**

Series 101



Series 101

Technical Data

Overall Length	35,40 mm
Minimum Centre Spacing	2,54 mm
Maximum Travel	9,40 mm
Working Travel	4,20 mm
Temperature Range from	-55°C
Up to	+120°C
Typical Resistance	20 mΩ
Current Load rated/max.	3,0 / 4,0 A

Materials














Plunger	CuBe or steel, gold plated
Barrel	Cu-alloy, gold plated
Spring	Music wire, silver plated

Compared with the standard 100 series the Series 101 and 22 have an over-length which compensates height differences in the test point level on a p.c.b.

Receptacles are shown on page 34. All variants with a head larger than the shaft have a reduced max. travel of 8.5 mm.

Spring Force (xx)

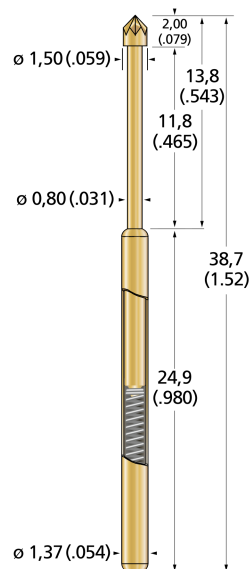
Preload	Rated Force	Code xx
0,3 N	1,5 N	15
0,3 N	2,0 N	20

	Ø 0,80	125.02.08.xx
	Ø 1,50	125.04.15.xx
	Ø 0,50	125.05.05.xx
	Ø 1,00	125.06.10.xx
	Ø 1,20	125.06.12.xx
	Ø 1,50	125.06.15.xx
	Ø 1,50	125.08.15.xx
	Ø 0,80	125.09.08.xx
	Ø 1,50	125.09.15.xx
	Ø 0,90	125.118.09.xx
	Ø 1,50	125.20.15.xx
	Ø 0,80	125.23.08.xx
	Ø 1,50	125.162.15.xx



For **XXLonglife-Nanocoating**
order as **125X**

Series 125



Combineable series are:

Pitch	Series	Max. Travel
1,27 mm	071	6,40 mm
1,27 mm	151	10,00 mm
1,90 mm	75	6,40 mm
1,90 mm	754	12,00 mm
2,54 mm	100	6,40 mm

plus all types with extra length to compensate for the test-point height profile (series 115, 752 and 101). 125 Series probes use Series 100 Receptacles (see page 34).

Series 125

Technical Data

Overall Length	38,70 mm
Minimum Centre Spacing	2,54 mm
Maximum Travel	11,80 mm
Working Travel	9,00 mm
Temperature Range from	-55°C
Up to	+120°C
Typical Resistance	20 mΩ
Current Load rated/max.	3,0 / 4,0 A

Materials

Plunger	CuBe hardened or steel, gold plated
Barrel	Cu-alloy, gold plated
Spring	Music wire, gold plated

The 125 Series is used in the so-called two stage or dual-level fixtures where ICT and FCT are performed in the same jig. The long reach needles 125 touch the functional test points, while the shorter series 100 pins do the In-Circuit-Test.

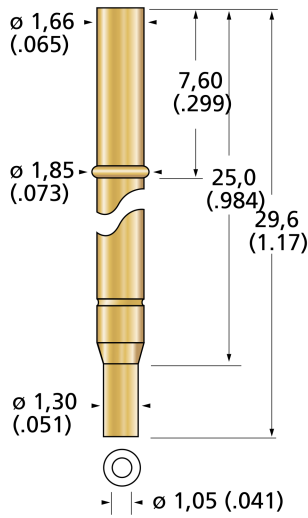
RECEPTACLES SERIES 100 / 101 / 125

Back

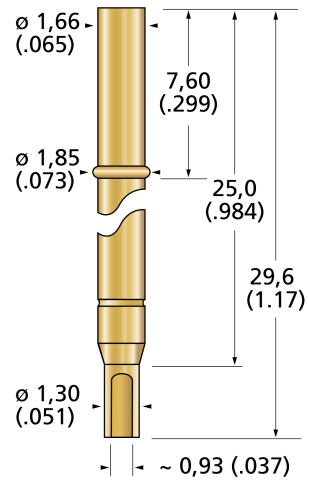
Overview

SERIES 100 receptacles are used as well for SERIES 101 and 125. Further types with other terminations and pressing-ring locations available on request.

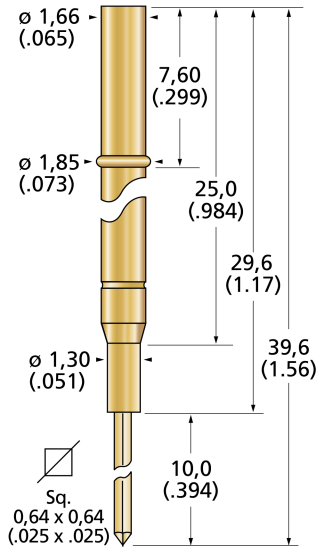
S 100.00-C
Open Crimp End



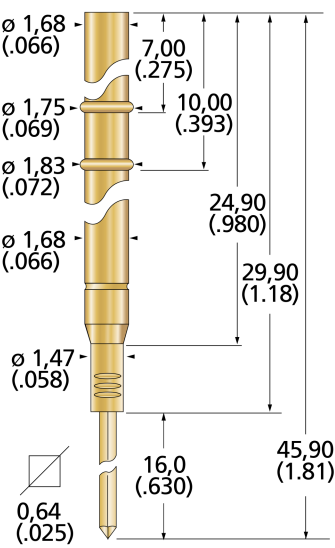
S 100.00-L
Solder Cup



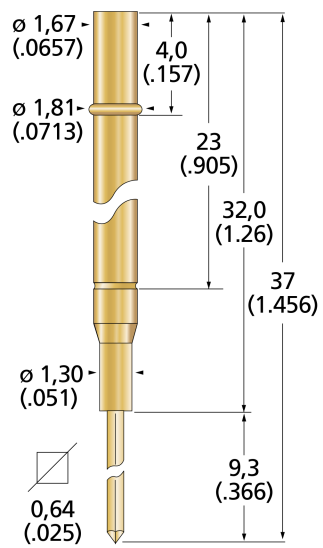
S 100.00-W
Wire-Wrap-Post



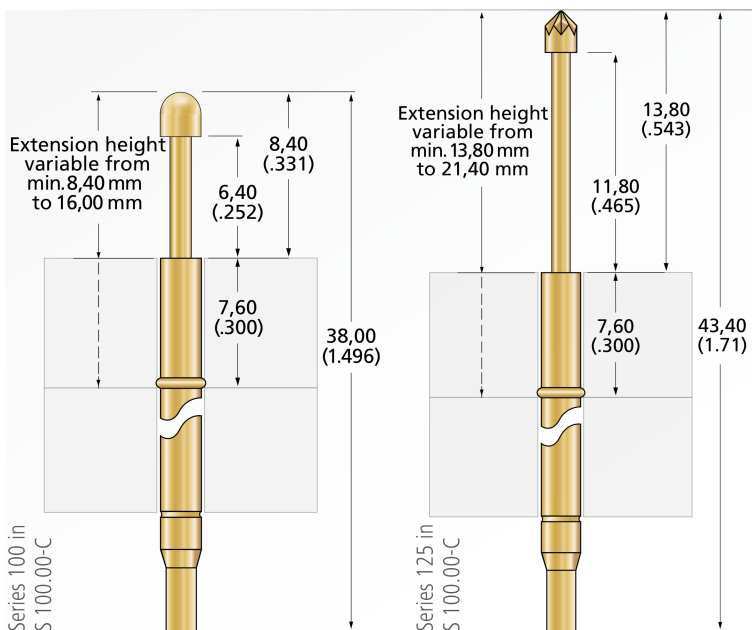
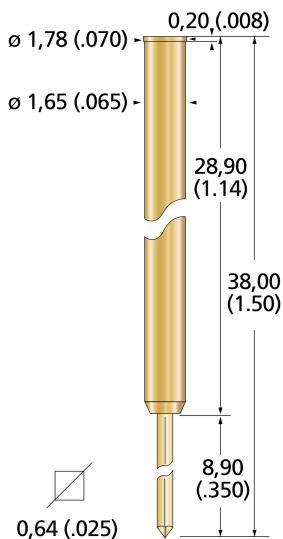
S 100.10-W
Wire-Wrap-Post



S 100.04-WI
Wire-Wrap-Post



S 100.05-WI
Wire-Wrap-Post



FIXTURING EXAMPLE

ICT/FCT RECEPTACLES
SERIES 100 / 101 / 22 / 125

Pitch
≥ 2,54 mm ≥ 100 mil

