

HSS 150

High Current Probe up to 50 A
Plug-in Test Probe

Grid:

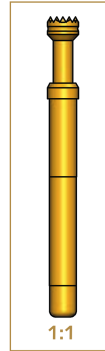
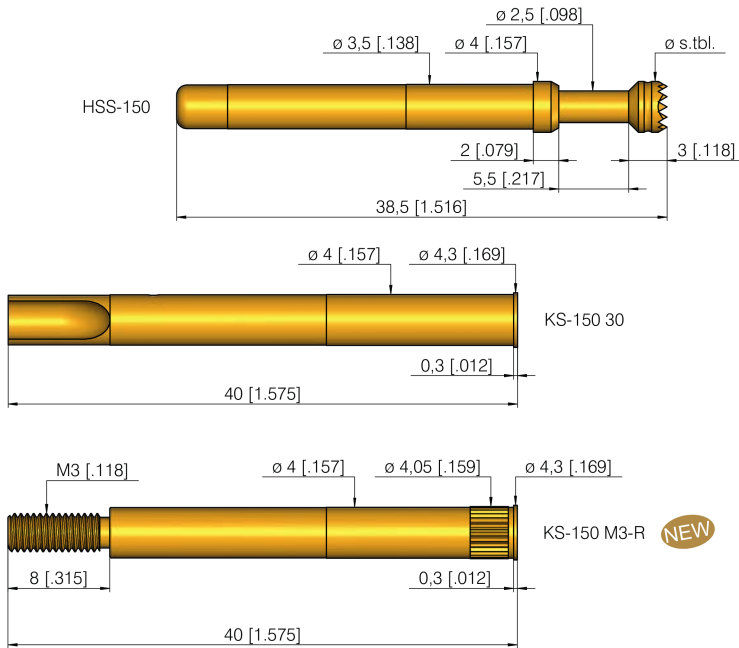
≥ 5,08 mm

≥ 200 Mil

Installation height with KS: 10,8 mm (.425)

Recommended stroke: 4,4 mm (.173)

Mounting and functional dimensions



Available tip styles

Material	Tip style	Plating	Further versions	
			\varnothing	\varnothing (inch)
3	02	A	$\varnothing 4,00$ (.157)	
3	03	A	$\varnothing 4,00$ (.157)	
3	05*	S	$\varnothing 4,00$ (.157)	
3	06	A	$\varnothing 4,00$ (.157)	3,00 (.118)
3	17	A	$\varnothing 3,00$ (.118)	
3	19	A	$\varnothing 4,00$ (.157)	

* pressed-in silver stud

Compatible GKS

GKS-854 (assembled in same receptacle)

Materials

Plunger: BeCu, gold-plated or silver stud
Barrel: Brass, silver-plated
Spring: Stainless steel, gold-plated
Receptacle: Brass, gold-plated

Operating temperature

Standard: -100° up to +200° C

Mounting hole size

for KS-150:

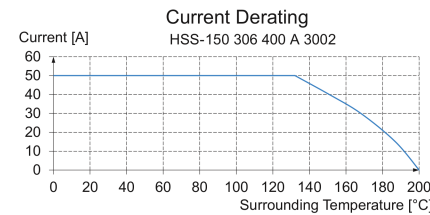
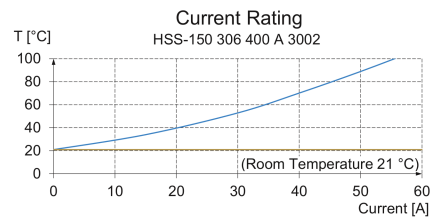
in CEM1 and FR4: $\varnothing 3,98 - 3,99$ mm (.1567 - .1571)

for KS-150 M3-R:

in CEM1 and FR4: $\varnothing 4,00 - 4,02$ mm (.1575 - .1583)

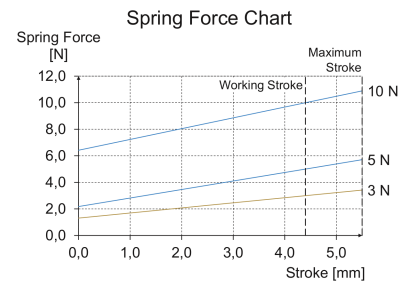
Electrical data

Current rating (at room temp.): max. 50 A
R_j typical: < 10 m Ω



Mechanical data

Working stroke: 4,4 mm (.173)
Maximum stroke: 5,5 mm (.217)
Spring force at work. stroke: 3,0 N (10.8oz)
Alternative: 5,0 N (18.1oz); 10 N (36 oz) ("99" in order number)



Ordering example

Series	Tip material 3 = BeCu	Tip style	Tip diameter (1/100 mm)	Plating A = Gold S = Silver	Spring force (dN)	Collar height (mm)
Test probe:	HSS	150	306	400	A	30
Receptacles:	KS-150	30	KS-150	M3-R		