



HF60-0027 N-F 6 P MCX

**Contacting
N-Female**

NEW

Centers (mm/mil)	12,5 / 492
Current (Circular)	10,0 A
Current (Internal)	3,0 A
Impedance [Z]	50 Ohm
Frequency	6 GHz
Temperature	-20°C...+80°C

Spring Force (cN ±20%)

	Preload	Nominal
Total	-	430
Internal Cont.	75	130
Circular Cont.	90	300

Travel (mm)

	Nominal	Maximum
Internal Cont.	2,0	2,7
Circular Cont.	2,7	3,3
Thread (M)		M5x0,5
Wrench Size		3,5 / 4,0 / 5,0

Materials and Plating

Internal Cont.	BeCu, gold plated
Circular Cont.	BeCu, gold plated
Barrel	Brass, gold plated
Spring Internal Cont.	Stainless steel, unplated
Spring Circular Cont.	Stainless steel, unplated
Receptacle	Brass, gold plated

Drill Size (mm)

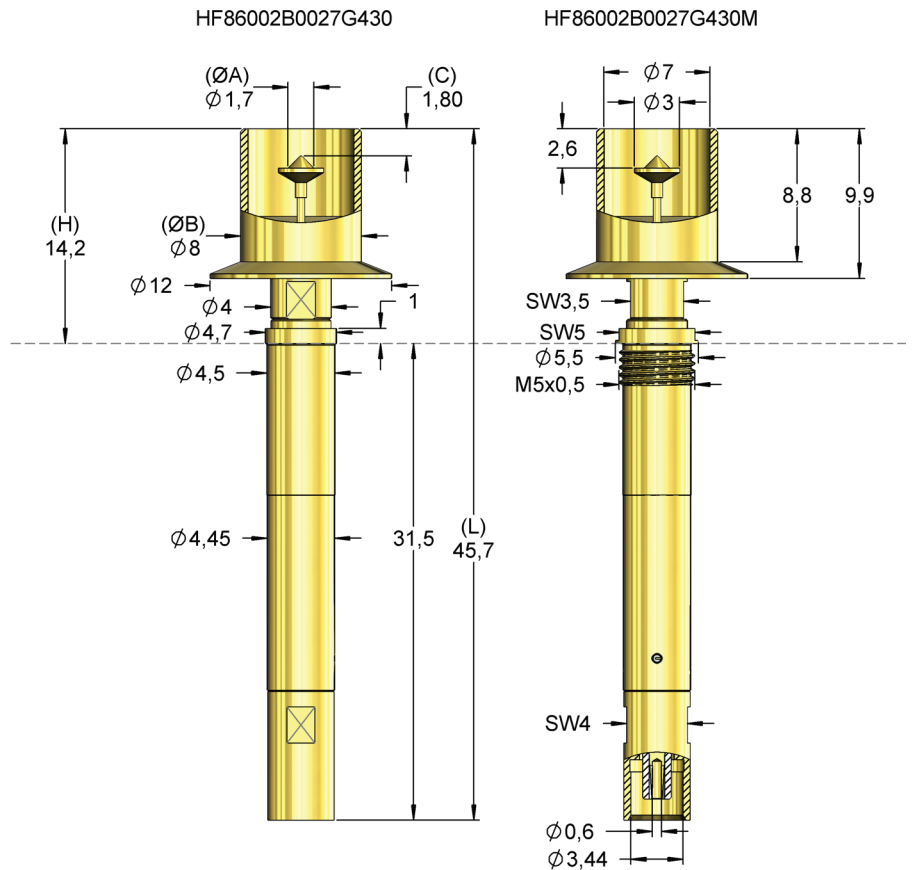
H860	4,99 - 5,00
H860RD	5,51 - 5,53
H860FL	7,99 - 8,01

Projection Height (mm)

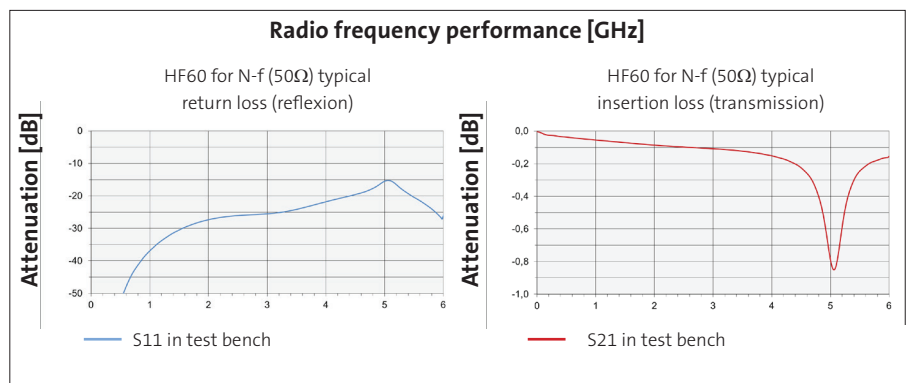
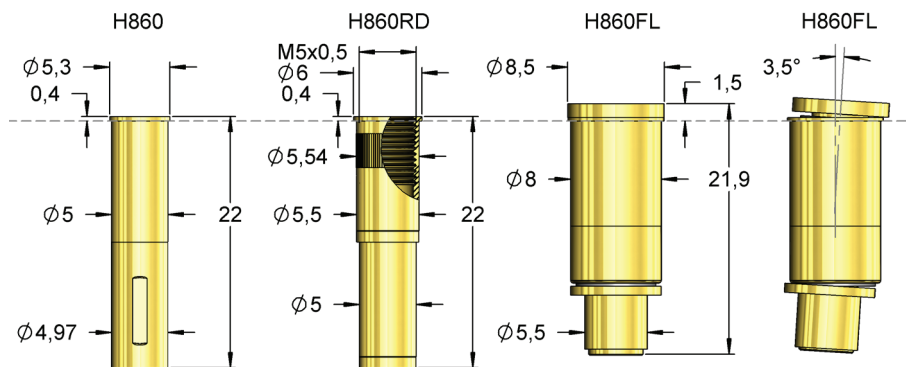
H860(RD) with HF60-0027	14,6
H860FL with HF60-0027	15,7

Accessories

Internal pin	F08602B300G130S1
Tool for changing internal pin	-
Insertion tool receptacle	FEWZ-822E0
Screw-in tool probe	Open-end wrench SW5
Cables see overview	page 62



For contacting N-Female connectors.



Order Code	Description	Sensepin	Tip Style	Ø A	Ø B	C	H	L	Version
HF86002B0027G430	HF60-0027 N-F 6 P MCX		02	1,70	8,00	-1,80	14,20	45,70	-
HF86002B0027G430M	HF60-0027 N-F 6 S MCX		02	1,70	8,00	-1,80	14,20	45,70	M