



HF60-0020 PCB-coax-kidney 4 P MCX

Contacting PCB-coax-kidney

NEW

Centers (mm/mil)	8,50 / 335
Current (Circular)	10,0 A
Current (Internal)	3,0 A
Impedance [Z]	50 Ohm
Frequency	6 GHz
Temperature	-20°C...+80°C

Spring Force (cN ±20%)

	Preload	Nominal
Total	-	730
Internal Cont.	75	130
Circular Cont.	400	600

Travel (mm)

	Nominal	Maximum
Internal Cont.	2,0	2,5
Circular Cont.	4,0	5,0
Wrench Size		3,5 / 4,0

Materials and Plating

Internal Cont.	BeCu, gold plated
Circular Cont.	BeCu, gold plated
Barrel	Brass, gold plated
Spring Internal Cont.	Music Wire, gold plated
Spring Circular Cont.	Stainless steel, unplated
Receptacle	Brass, gold plated

Accessories

Screw-in tool	FWZ860HF50
Insertion tool receptacle	FEWZ-822E0
Receptacle Standard	H860
Floating Receptacle	H860FL
Cable 700 mm up to 3 GHz	H860AE1, H860AE3, H860AE4
Cable 700 mm up to 10 GHz	H860AE2

Drill Size (mm)

H860	4,99 - 5,00
H860FL	7,99 - 8,01

Projection Height (mm)

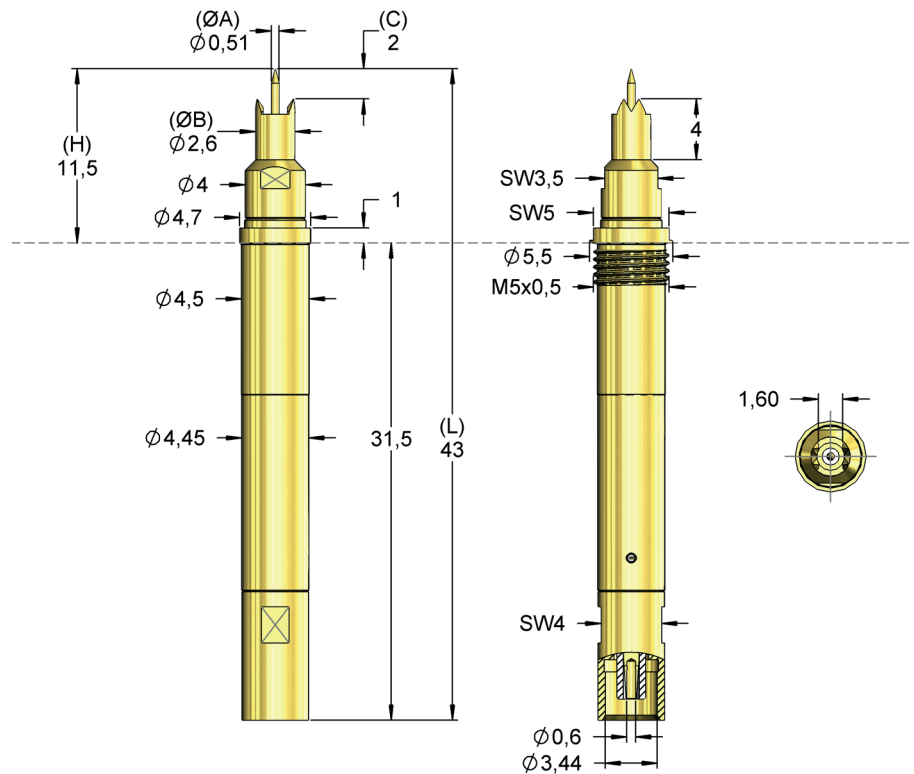
H860 with HF60-0020	11,9
H860FL with HF60-0020	13,0

PCB-coaxial-kidney

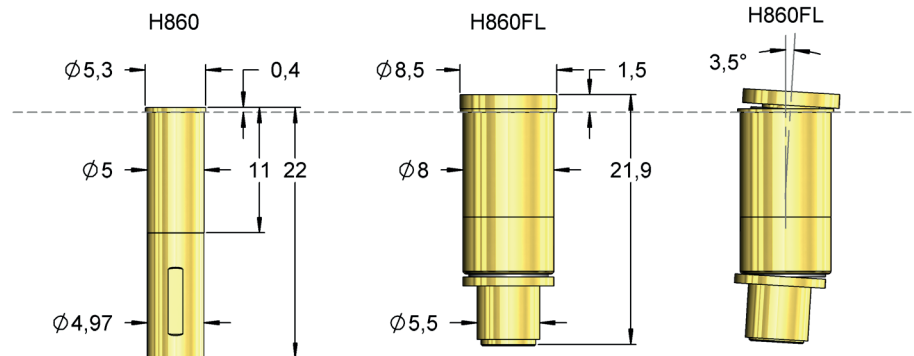


HF86018B0020G530

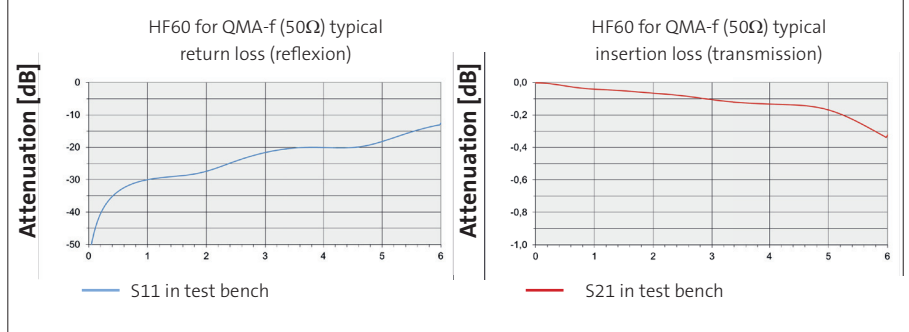
HF86018B0020G530M



For contacting PCB-coax-kidney.



Radio frequency performance [GHz]



Order Code	Sense Pin	Tip Style	Ø A	Ø B	C	H	L	Version
HF86018B0020G530		18	0,51	2,50	2,00	11,50	43,00	-