



HF60-0010 PCB-coax-open 6 P MCX

Contacting PCB-coax-open

NEW

Centers (mm/mil)	6,00 / 236
Current (Circular)	10,0 A
Current (Internal)	3,0 A
Impedance [Z]	50 Ohm
Frequency	6 GHz
Temperature	-20°C...+80°C

Spring Force (cN ±20%)

	Preload	Nominal
Total	-	930
		530
Internal Cont.	75	130
Circular Cont.	50	800
	90	400

Travel (mm)

	Nominal	Maximum
Internal Cont.	2,0	2,5
Circular Cont.	4,0	5,0
Wrench Size		3,5 / 4,0

Materials and Plating

Internal Cont.	BeCu, gold plated
Circular Cont.	BeCu, gold plated
Barrel	Brass, gold plated
Spring Internal Cont.	Music Wire, gold plated
Spring Circular Cont.	Stainless steel, unplated
Receptacle	Brass, gold plated

Accessories

Insertion tool receptacle	FEWZ-822E0
Receptacle Standard	H860
Floating Receptacle	H860FL
	H860AE1, H860AE3, H860AE4
Cable 700 mm up to 3 GHz	H860AE3, H860AE4
Cable 700 mm up to 10 GHz	H860AE2

Drill Size (mm)

H860	4,99 - 5,00
H860FL	7,99 - 8,01

Projection Height (mm)

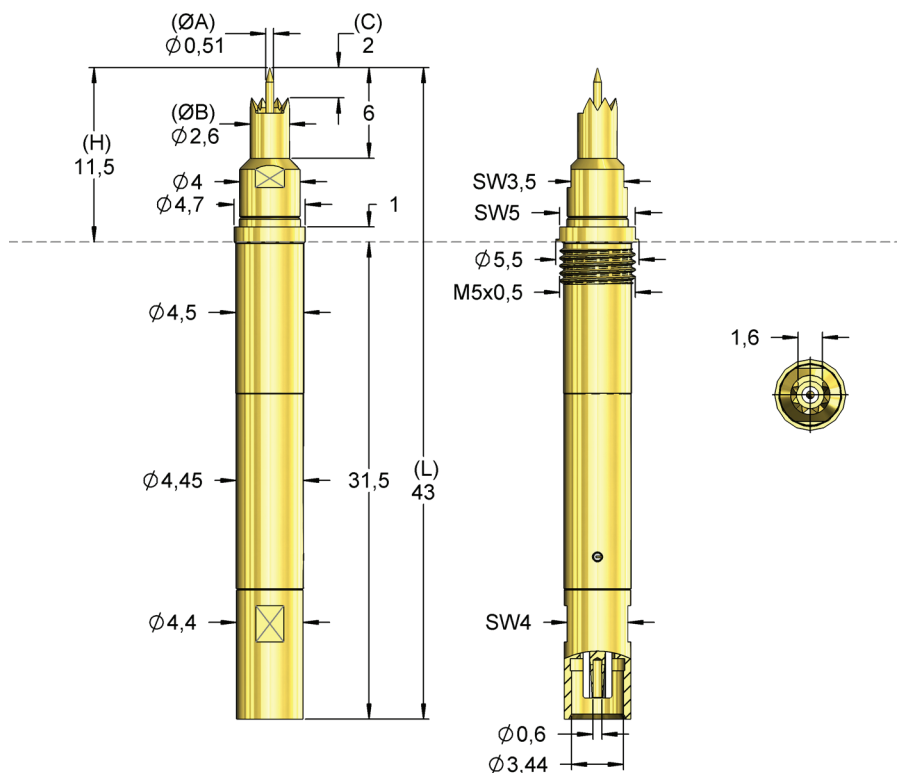
H860 with HF60-0010	11,9
H860FL with HF60-0010	13,0



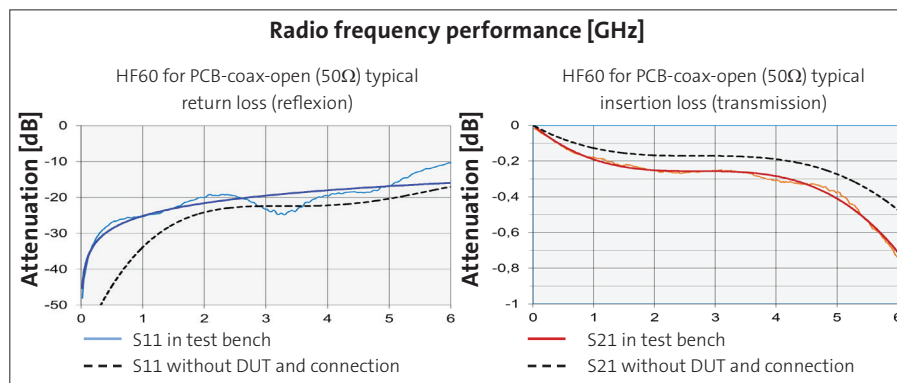
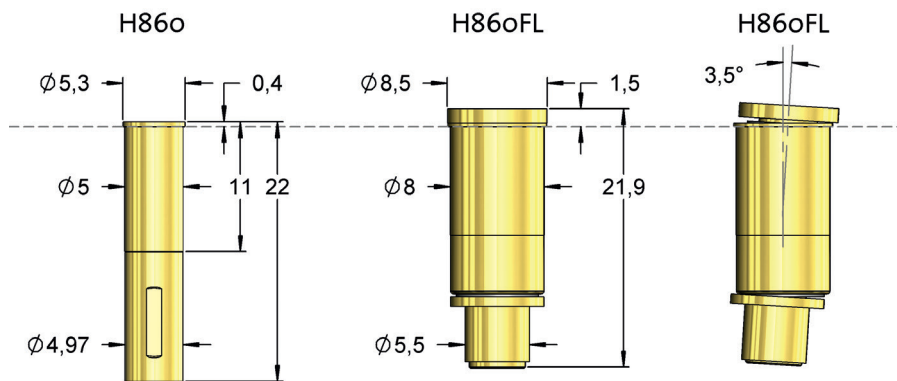
PCB-coax-open

HF86018B0010G530

HF86018B0010G530M



For contacting PCBs.



Order Code	Sense Pin	Tip Style	Ø A	Ø B	C	H	L	Version
HF86018B0010G530		18	0,51	2,60	2,00	11,50	43,00	-
HF86018B0010G930		18	0,51	2,60	2,00	11,50	43,00	-