



## HF60-0008 PCB-coax-open 6 P MCX

### Contacting PCB-coax-open

**NEW**

<b>Centers (mm/mil)</b>	6,00 / 236
<b>Current (Circular)</b>	10,0 A
<b>Current (Internal)</b>	3,0 A
<b>Impedance [Z]</b>	50 Ohm
<b>Frequency</b>	6 GHz
<b>Temperature</b>	-20°C...+80°C

#### Spring Force (cN ±20%)

	Preload	Nominal
Total	-	530
Internal Cont.	75	130
Circular Cont.	90	400

#### Travel (mm)

	Nominal	Maximum
Internal Cont.	2,0	2,5
Circular Cont.	4,0	5,0
Wrench Size		3,5 / 4,0

#### Materials and Plating

Internal Cont.	BeCu, gold plated
Circular Cont.	BeCu, gold plated
Barrel	Brass, gold plated
Spring Internal Cont.	Music Wire, gold plated
Spring Circular Cont.	Stainless steel, unplated
Receptacle	Brass, gold plated

#### Accessories

Insertion tool receptacle	FEWZ-822E0
Receptacle Standard	H860
Floating Receptacle	H860FL
	H860AE1,
	H860AE3,
Cable 700 mm up to 3 GHz	H860AE4
	H860AE2
Cable 700 mm up to 10 GHz	

#### Drill Size (mm)

H860	4,99 - 5,00
H860FL	7,99 - 8,01

#### Projection Height (mm)

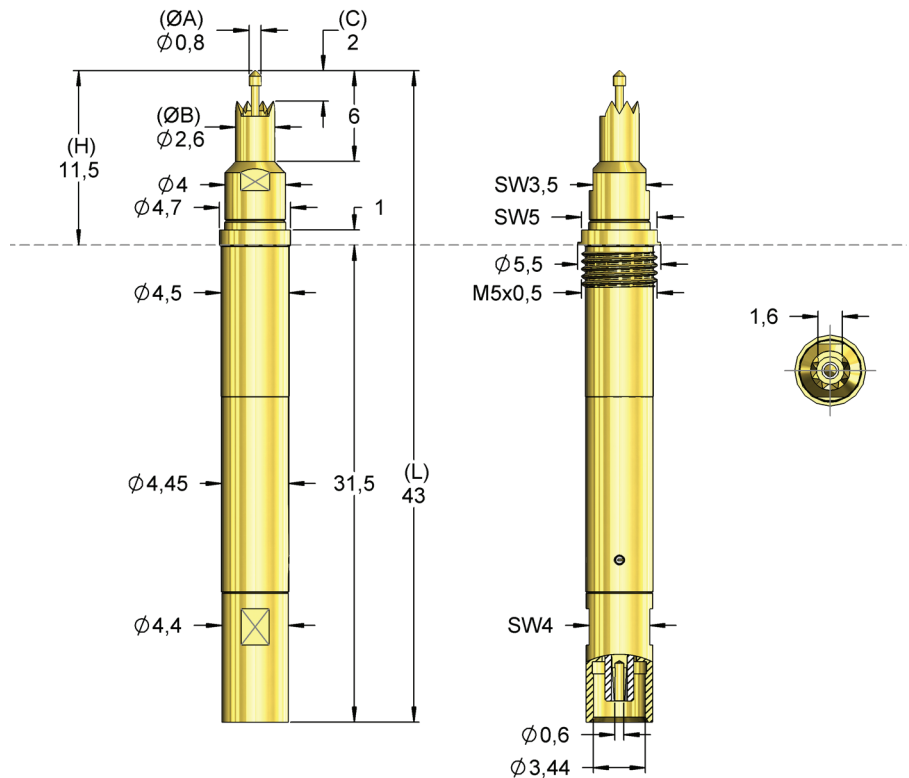
H860 with HF60-0008	11,9
H860FL with HF60-0008	13,0

#### PCB-coax-open

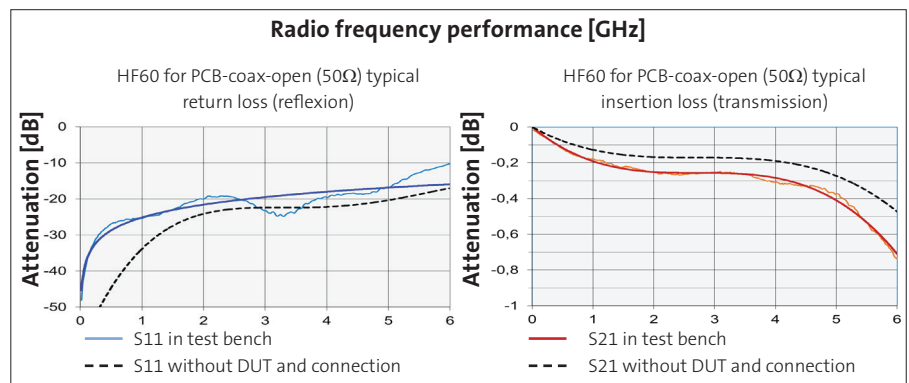
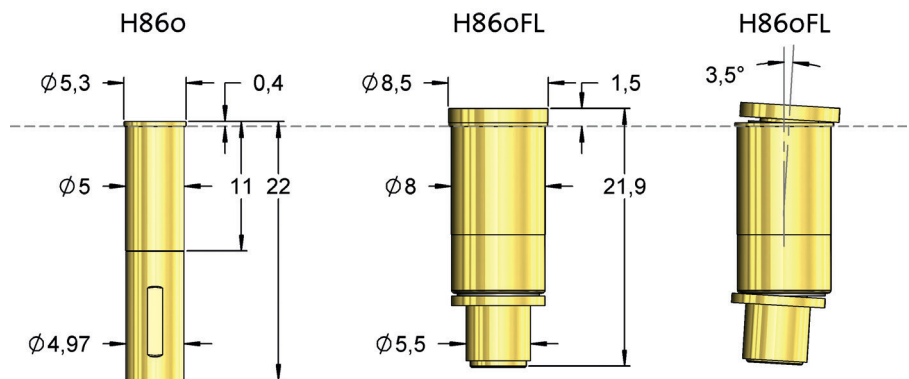


HF86002B0008G530

HF86002B0008G530M



For contacting PCBs.



Order Code	Sense Pin	Tip Style	Ø A	Ø B	C	H	L	Version
HF86002B0008G530		18	0,80	2,60	2,00	11,50	43,00	-