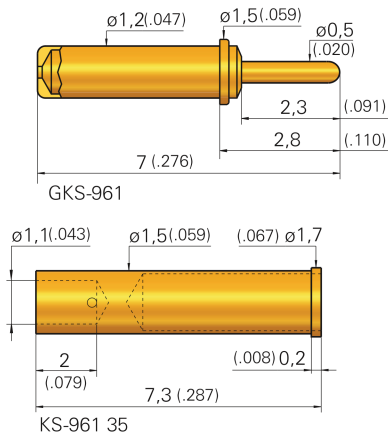


**Grid:**  
 ≥ 1,91 mm  
 ≥ 75 Mil

**Installation height with KS:** 3,0 mm (.118)  
**Recommended stroke:** 1,0 mm (.039)

### Mounting and functional dimensions



Material		Tip style	Plating	Further versions	
				∅	∅ (inch)
3	05		A	∅ 0,50 (.020)	

#### Mechanical data

**Working stroke:** 1,0 mm (.039)  
**Maximum stroke:** 1,3 mm (.051)  
**Spring force at work. stroke:** 0,6 N (2.2oz)

#### Materials

**Plunger:** BeCu, gold-plated  
**Barrel:** Brass, gold-plated  
**Spring:** Stainless steel, gold-plated  
**Receptacle:** Brass, gold-plated

#### Electrical data

**Current rating:** 2 A  
**R<sub>i</sub> typical:** < 100 mΩ

#### Mounting hole size

**in CEM1 and FR4 with receptacle:** ∅ 1,49 - 1,50 mm (.0587 - .0591)  
**without receptacle:** ∅ 1,2 mm (.0472)

#### Operating temperature

**Standard:** -100° up to +200° C

### Ordering example

Series	Tip material 2 = Steel 3 = BeCu	Tip style	Tip diameter (1/100 mm)	Plating A = Gold	Spring force (dN)	Collar height (mm)
--------	---------------------------------------	-----------	----------------------------	---------------------	----------------------	-----------------------

Test probe:

G K S 9 6 1 3 0 5 0 5 0 A 0 6 0 1

Receptacles:

K S - 9 6 1 3 5