

GKS 365 / GKS 366

Test Probe with High Stability

Grid:

≥ 6,50 mm

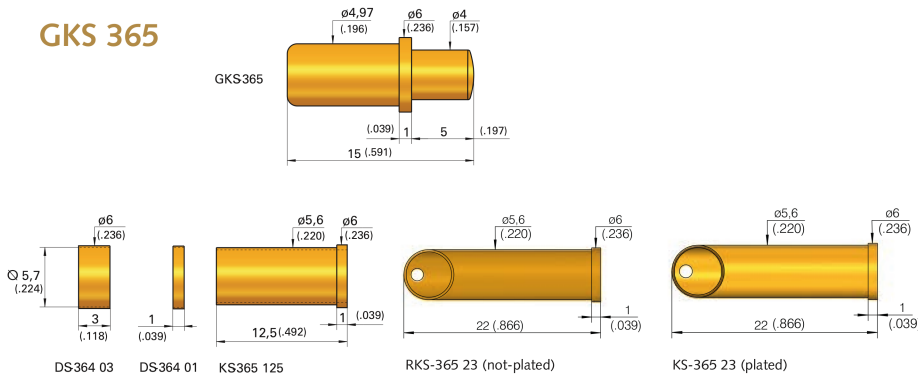
≥ 260 Mil

Installation height with KS: 7,0 mm (.276) resp. 12,0 mm (.472)

Recommended stroke: 3,2 mm (.126) reps. 8,0 mm (.315)

Mounting and functional dimensions

GKS 365



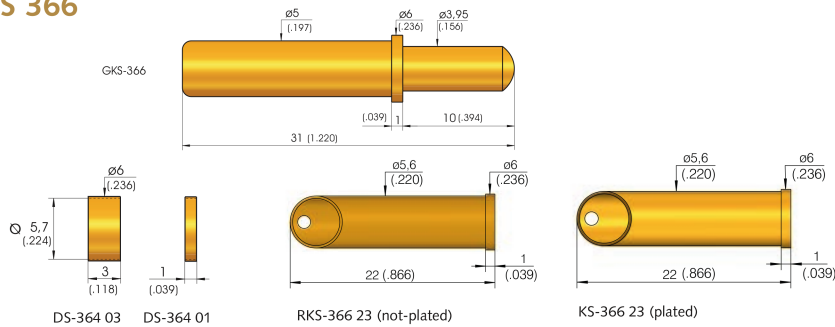
Available tip styles GKS 365

Material	Tip style	Plating	Further versions	
			∅	∅ (inch)
2 04		N		
1 05		A		
2 06		A		
1 13 *		N		
1 13S **		A		

* No radial forces allowed, plunger can get stuck

** ordering example: GKS-365 113 400 A xx01 S

GKS 366



Available tip styles GKS 366

Material	Tip style	Plating	Further versions	
			∅	∅ (inch)
1 05		N		
3 05		A		
3 56 *		A		

* total length = 30 mm, maximum stroke 9,0 mm

Mechanical data

GKS 365

Working stroke: 3,2 mm (.126)
Maximum stroke: 4,0 mm (.157)
Spring force at work. stroke: 1,5 N (5.4oz)
Alternative: 0,6 N (2.2oz); 3,0 N (10.8oz),
 4,0 N (14.4oz); 8,0 N (28.9oz)

Materials

Plunger:

Brass, steel or CuBe,
 gold- or nickel-plated

Barrel:

Spring:

Brass, gold-plated
 Steel, gold-plated
 or stainless steel**

Receptacle for GKS-365:

RKS-365 23: Brass, not plated
 KS-365 125/KS-365 23: Brass, gold-plated

Receptacle for GKS-366:

RKS-366 23: Brass, not plated
 KS-366 23: Brass, gold-plated

Note:

Other comparable versions available upon request.

Mechanical data

GKS 366

Working stroke: 8,0 mm (.315)
Maximum stroke: 10,0 mm (.394)
Spring force at work. stroke: 1,5 N (5.4oz)
Alternative: 3,0 N (10.8oz); 6,0 N (21.6oz);
 8,0 N (28.9oz); 16,0 N (57.5oz)

Mounting hole size

with receptacle: ∅ 5,59 - 5,60 mm
 (.2201 - .2205)

without receptacle for GKS-365:

∅ 4,97 mm (.1957)

without receptacle for GKS-366:

∅ 5,00 mm (.1969)

Electrical data

Current rating: 5 - 8 A
R_i typical: < 30 mΩ (** < 100 mΩ)

Operating temperature

Standard: -40° up to +80° C
****with 8,0 N-spring:** -100° up to +200° C
 (GKS-365)

Ordering example

Series	Tip material 1 = Brass 2 = Steel 3 = CuBe	Tip style	Tip diameter (1/100 mm)	Plating A = Gold N = Nickel	Spring force (dN)	Collar height (mm)	Special designation "S"
--------	--	-----------	----------------------------	-----------------------------------	----------------------	-----------------------	----------------------------

Test probe:

G K S 3 6 5 1 0 5 4 0 0 A 1 5 0 1

Test probe:

G K S 3 6 6 1 0 5 4 0 0 N 1 5 0 1

Receptacles for GKS-365:

R K S - 3 6 5 2 3 K S - 3 6 5 2 3

Receptacles for GKS-366:

R K S - 3 6 6 2 3 K S - 3 6 6 2 3

Spacer for receptacle:

D S - 3 6 4 0 1 D S - 3 6 4 0 3