

# HIGH CURRENT PROBES

## FTS

Coaxial, spring-loaded temperature sensor, for voltage measurement

<b>Centers (mm/mil)</b>	8,50 / 335
<b>Current</b>	5,0 A
<b>R typ (power)</b>	<6 mOhm
<b>Temperature</b>	-40°C...+200°C

### Spring Force (cN ±20%)

	Preload	Nominal
Total	-	700
Sensor	70	200
Circular cont.	400	500

### Travel (mm)

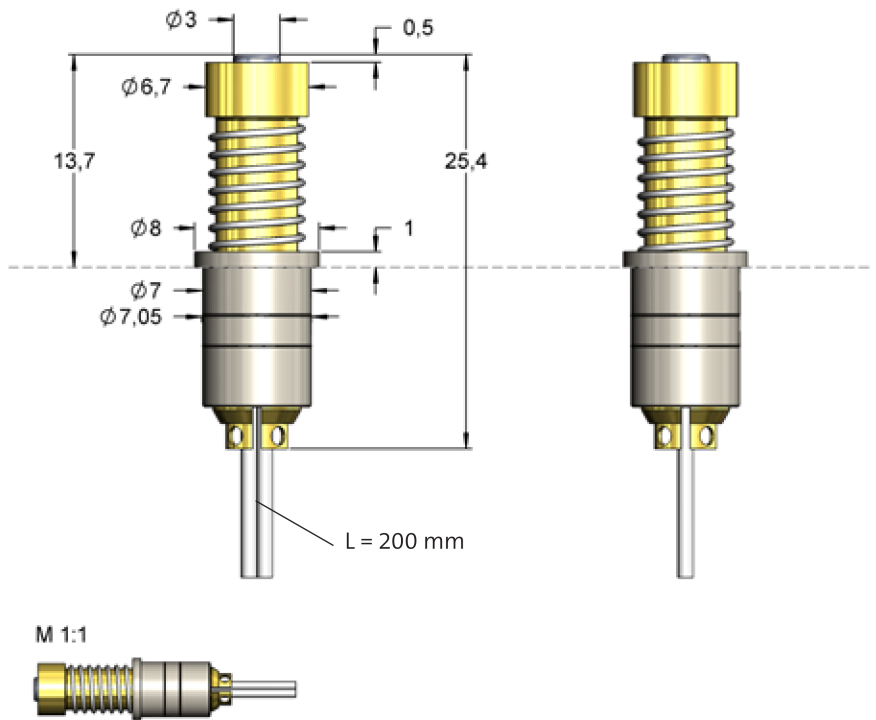
Version	Nominal	Maximum
Sensor	0,5	4,0
Circular cont.	4,0	5,0

### Materials and Plating

Sensor	Stainless steel, unplated
Circular cont.	BeCu, gold plated
Barrel	Syntetic, unplated
Spring	Stainless steel, unplated
Circular cont.	Stainless steel, unplated

### Drill Size (mm)

Barrel with knurl	7,00 -7,03
-------------------	------------



The contact probe enables the simultaneous electrical contacting and temperature measurement at the contact point in compact design.

Order Code	Tip Style	Number	Material	Ø in mm	Plating	Temperature Sensor
FTS0116E0001U700		16	E	3,00	U	PT100
FTS0216E0001U700		16	E	3,00	U	PT1000
FTS0316E0001U700		16	E	3,00	U	NTC
FTS0416E0001U700		16	E	3,00	U	Typ K