



FP01 Ø0,58mm

Fine Pitch Probe
Double Plunger Probe

NEW

Centers (mm/mil)	0,75 / 30
Current	0,5 A
R typ	<50 mOhm
Temperature	-50°C...+150°C

Spring Force (cN ±20%)

Version	Preload	Nominal
H	30	60

Travel (mm)

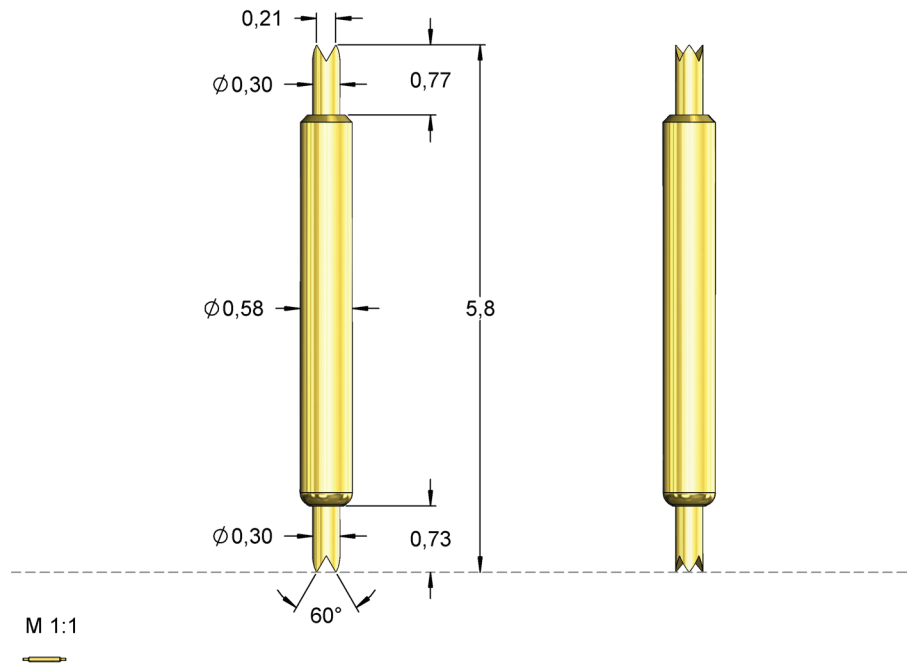
Version	Nominal	Maximum
H	0,50	0,60

Materials and Plating

Plunger 1	BeCu, gold plated
Plunger 2	BeCu, gold plated (standard)
Barrel	Bronze, gold plated
Spring	Stainless steel, gold plated

Drill Size (mm)

FP01-058-L058H	0,59 - 0,62
----------------	-------------



For applications like BGA, LGA, SOP, QFP, QFN-testing.
Suitable for mounting in sockets and test fixtures.

Order Code	Description	Sensepin	KF1 / KF2	Material	Ø in mm	Plating	Spring force	Length	Version
FP01-0024	FP010582929B030G060L058H		29 29	B	0,30	G	60	5,80	H