



FP01 Ø0,59mm

Fine Pitch Probe
Double Plunger Probe

NEW

Centers (mm/mil)	0,75 / 30
Current	0,5 A
R typ	<50 mOhm
Temperature	-50°C...+150°C

Spring Force (cN ±20%)

Version	Preload	Nominal
H	10	35

Travel (mm)

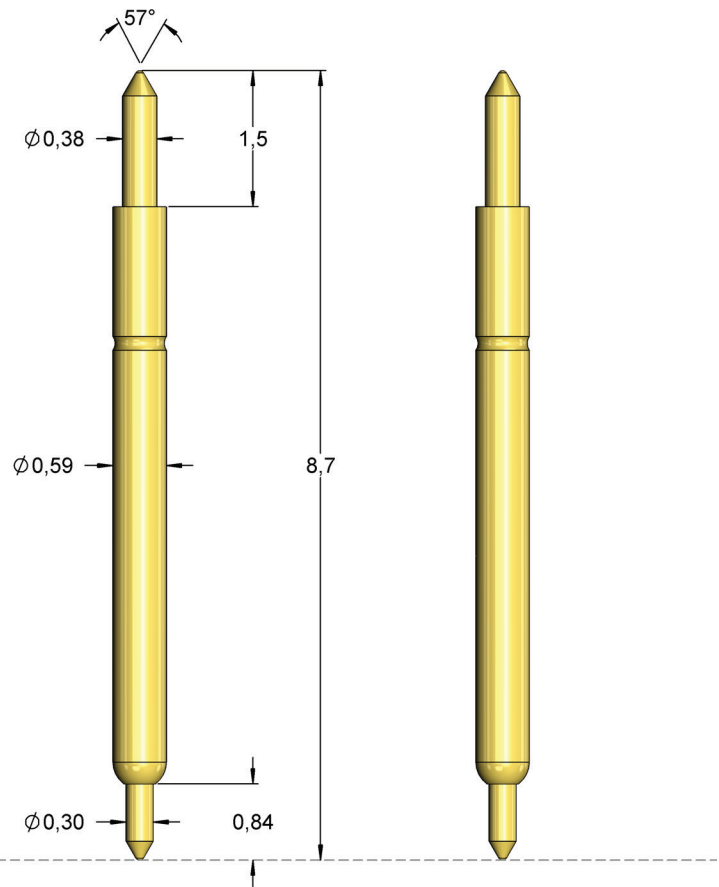
Version	Nominal	Maximum
H	0,75	1,0

Materials and Plating

Plunger 1	Steel, longtime gold plated
Plunger 2	BeCu, gold plated (standard)
Barrel	Bronze, gold plated
Spring	Stainless steel, gold plated

Drill Size (mm)

FP01-059-L087H	0,60 - 0,63
----------------	-------------



M 1:1



For applications like BGA, LGA, SOP, QFP, QFN-testing.
Suitable for mounting in sockets and test fixtures.

Order Code	Description	Sensepin	KF1 / KF2	Material	Ø in mm	Plating	Spring force	Length	Version
FP01-0015	FP010590303S038L035L087H		03 03	S	0,38	L	35	8,70	H
FP01-0016	FP010592903S038L035L087H		29 29	S	0,38	L	35	8,70	H