



# FP01 Ø0,35mm

**Fine Pitch Probe**  
**Double Plunger Probe**

**NEW**

<b>Centers (mm/mil)</b>	0,50 / 20
<b>Current</b>	2,0 A
<b>R typ</b>	<60 mOhm
<b>Temperature</b>	-42°C...+135°C

### Spring Force (cN ±20%)

Version	Preload	Nominal
Standard	8	20
H	8	20

### Travel (mm)

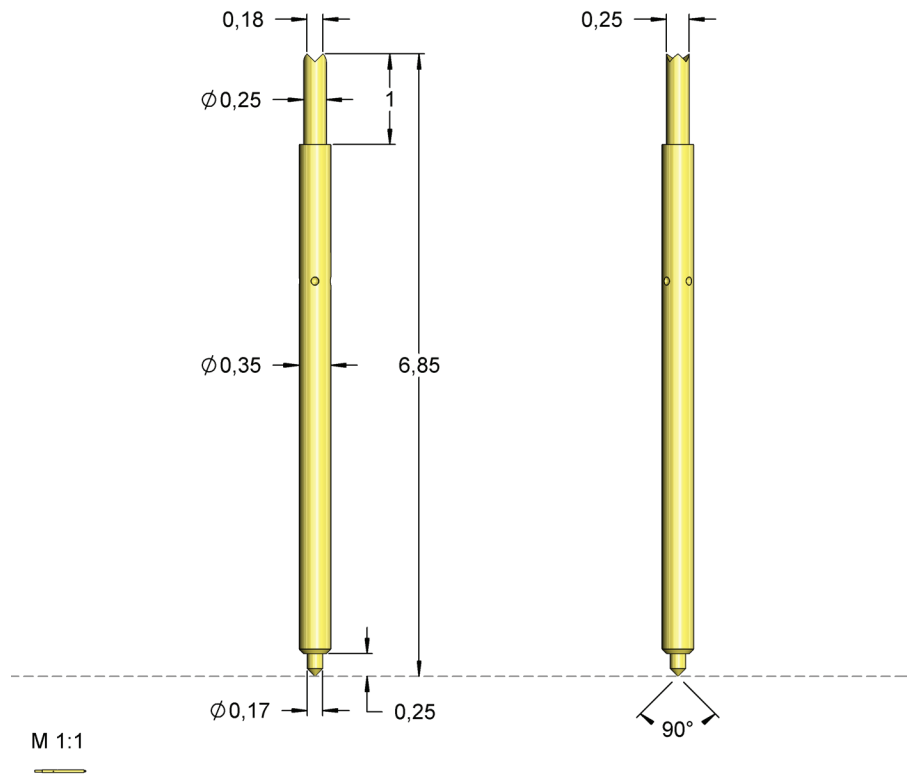
Version	Nominal	Maximum
Standard	0,65	0,75
H	0,65	0,75

### Materials and Plating

Plunger 1	BeCu, gold plated
Plunger 2	BeCu, gold plated (standard)
Barrel	Nickel, gold plated
Spring	Music wire, gold plated

### Drill Size (mm)

FP01-035-L069H	0,36 - 0,38
----------------	-------------



For applications like BGA, LGA, SOP, QFP, QFN-testing.  
Suitable for mounting in sockets and test fixtures.

Order Code	Description	Sensepin	KF1 / KF2	Material	Ø in mm	Plating	Spring force	Length	Version
FP01-0014	FP010350301B025G020L069H		03 01	B	0,25	G	20	6,90	H
FP01-0037	FP010351111B025G020L069H		11 11	B	0,25	G	20	6,90	H
FP01-0022	FP010351601B025G020L069H		16 01	B	0,25	G	20	6,90	H
FP01-0013	FP010352901B025G020L069H		29 01	B	0,25	G	20	6,90	H