



# F840

## High Current Probe 275 mil up to 30 A, Plug-in Coaxial Design

**NEW**

<b>Centers (mm/mil)</b>	7,00 / 275
<b>Current (Circular)</b>	30,0 A
<b>Current (Internal)</b>	5,0 A
<b>Temperature</b>	-45°C...+200°C

### Spring Force (cN ±20%)

	Preload	Nominal
Internal Cont.	70	200
Circular Cont.	300	1500

### Travel (mm)

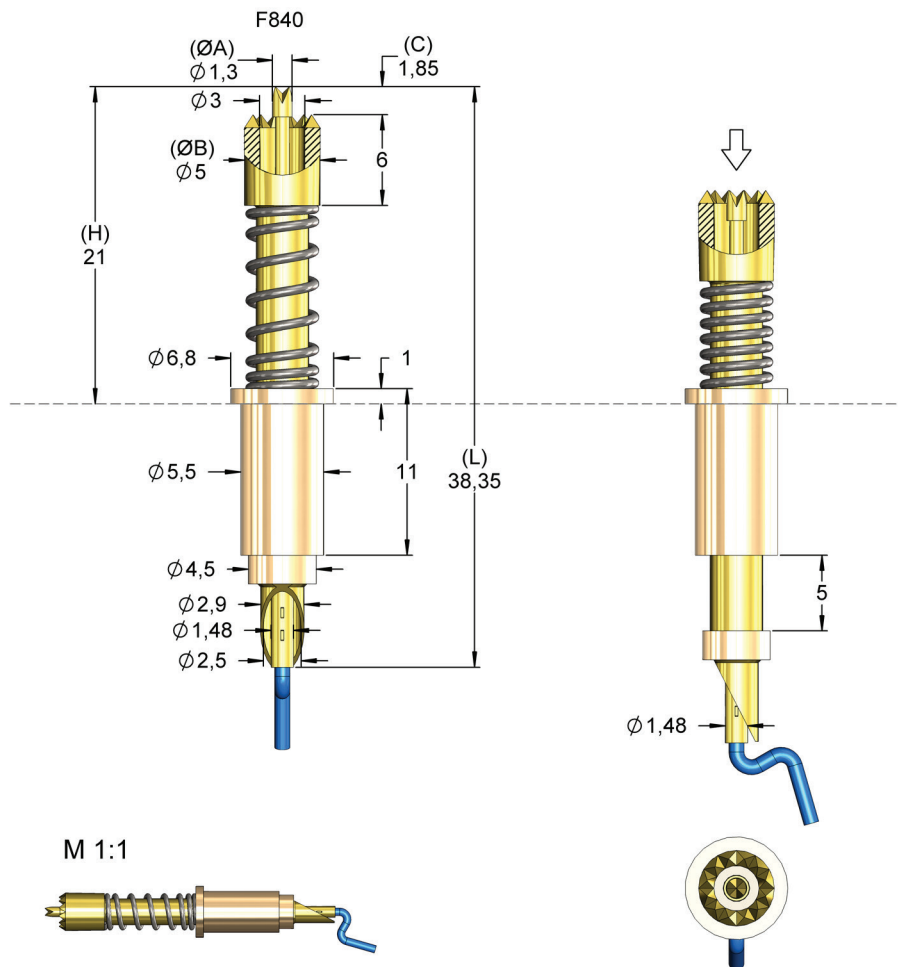
	Nominal	Maximum
Internal Cont.	4,3	5,0
Circular Cont.	5,5	6,4

### Materials and Plating

Internal Cont.	Stahl, longtime gold plated
Circular Cont.	Stahl, longtime gold plated
Barrel	Brass, unplated
Spring	Stainless steel, unplated
Internal Cont.	Stainless steel, unplated
Spring	Stainless steel, unplated
Circular Cont.	Stainless steel, unplated

### Drill Size (mm)

Barrel-Ø	5,49 -5,51
----------	------------



Order Code	Sense Pin	Tip Style	Ø A	Ø B	C	H	L	Version
F84014S150L1780		14	1,30	5,00	1,85	21,00	38,85	-