



F754

Probe 177 mil Plug-In, Twist Proof

Centers (mm/mil)	4,50 / 177
Current	10,0 A
R typ	20 mOhm
Temperature	-20°C...+80°C

Spring Force (cN ±20%)

Version	Preload	Nominal
L	30	150
L	80	300
S	30	150
S	80	300

Travel (mm)

Version	Nominal	Maximum
L	4,0	4,5
S	4,0	4,5

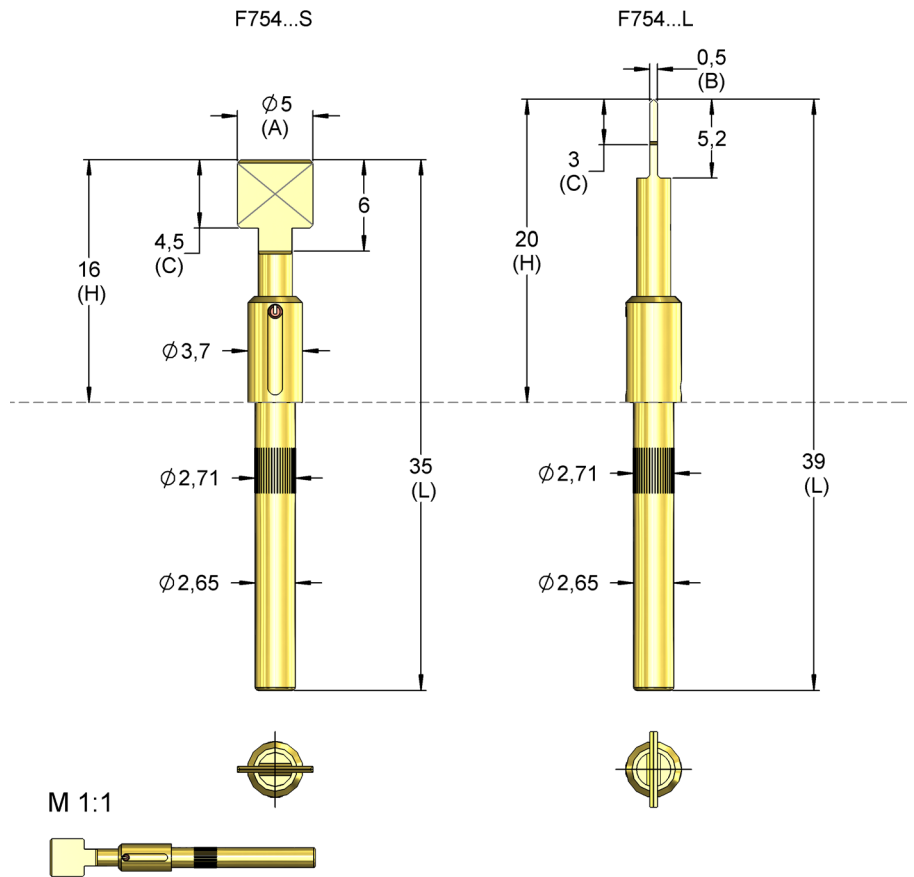
Pointing Accuracy ±0,10 mm

Materials and Plating

Plunger	see Tip Style
Barrel	Brass, gold plated
Spring	Music wire, gold plated

Drill Size (mm)

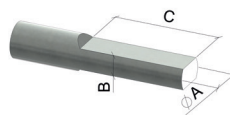
F754 without Receptacle	2,66 - 2,70
H773LA	2,98 - 2,99



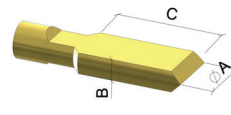
Series	Number	Spring Force (cN)
F754	82 B 0001 N 150 L	
Tip Style	Material	Plating

Material: B = BeCu
Number: see table
Plating: G = Gold plated, N = Nickel plated
Version: S = Short version, L = Long version
Receptacle: Order code according drawing

KF82



KF84



Order code	Number	Ø A	B	C	H	L	Version
F75482B0001N150L	82	2,25	2,25	6,00	20,00	39,00	L
F75484B0004G150L	84	4,00	0,65	3,00	20,00	39,00	L
F75484B0005G300L	84	5,00	0,40	4,50	20,00	39,00	L
F75484B0003G150L	84	5,00	0,50	3,00	20,00	39,00	L
F75484B0003G300L	84	5,00	0,50	3,00	20,00	39,00	L
F75484B0002G150S	84	4,00	1,00	3,00	16,00	35,00	S
F75484B0002G300S	84	4,00	1,00	3,00	16,00	35,00	S
F75484B0005G300S	84	5,00	0,40	4,50	16,00	35,00	S
F75484B0001G150S	84	5,00	1,00	3,00	16,00	35,00	S
F75484B0001G300S	84	5,00	1,00	3,00	16,00	35,00	S
F75484B0006G300S	84	5,00	1,00	4,50	16,00	35,00	S