



F691

Short Travel Probe for Pressing-in

Centers (mm/mil)	1,80 / 71
Current	5,0 A
R typ	<50 mOhm
Temperature	-45°C...+100°C

Spring Force (cN ±20%)

Version	Preload	Nominal
S1	40	80
Standard	40	80

Federwege (mm)

Version	Nominal	Maximum
S1	3,0	3,5
Standard	3,0	3,5

Materials and Plating

Plunger	see tip style
Barrel	Brass, gold plated
Spring	Music wire, silver plated

Drill Size (mm)

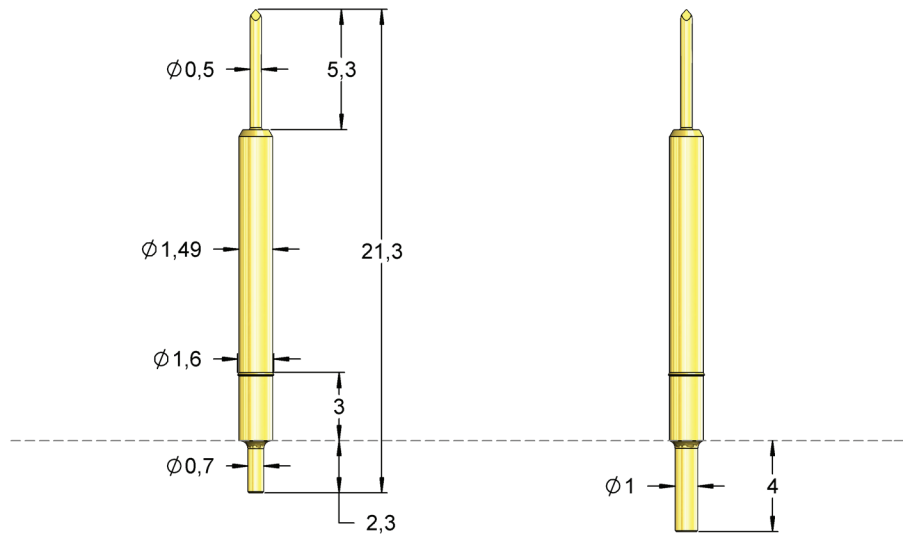
F691	1,52 - 1,56
------	-------------

Projection Height (mm)

F691	21,3
------	------

F69130B050G080

F69130B050G080S1



M 1:1



Type	Tip-Ø	Spring Force (cN)
F 691 30 B 050 G 080 S1		
Tip Style	Material	Finish
Material:	B = BeCu	Finish:
Tip-Ø:	050= 0,50 mm (e.g.)	Version:
Finish:	G = Gold plated	S1 = different Length of Contact end
Version:	S1 = different Length of Contact end	

Tip Styles	Number	Material	Ø in mm	Plating	Version
	30	B	0,50	G	S1
	30	B	0,50	G	-