



F67211B1005G040

Battery Contact pressed-in

Centers (mm/mil)	3,18 / 125
Current	9,0 A
R typ	<30 mOhm
Temperature	-45°C...+200°C (H)

Spring Force (cN ±20%)

Version	Preload	Nominal
Standard	25	40

Federwege (mm)

Version	Nominal	Maximum
Standard	0,4	1,0

Materials and Plating

Plunger	see tip style
Barrel	Brass, gold plated
Spring	Stainless steel, gold plated

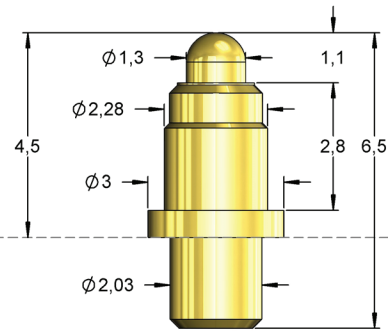
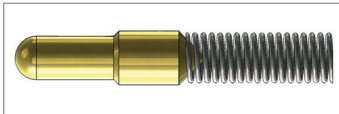
Drill Size (mm)

F67211B1005G040	2,02 - 2,03
-----------------	-------------

Projection Height (mm)

F67211B1005G040	4,5
-----------------	-----

Design with standard plunger



M 1:1

Solder Tight

Order Code	Tip Style	Number	Material	Ø in mm	Plating	Version
F67211B1005G040		11	B	1,30	G	-