

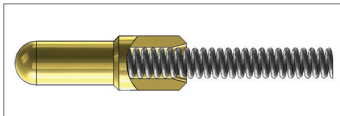


F67211B0001G170

Battery Contact for Direct Soldering on PCBs

Centers (mm/mil)	4,50 / 177
Current	9,0 A
R typ	<30 mOhm
Temperature	-45°C...+200°C (H)

Design with drill hole plunger



Spring Force (cN ±20%)

Version	Preload	Nominal
Standard	80	170

Travel (mm)

Version	Nominal	Maximum
Standard	1,7	2,5

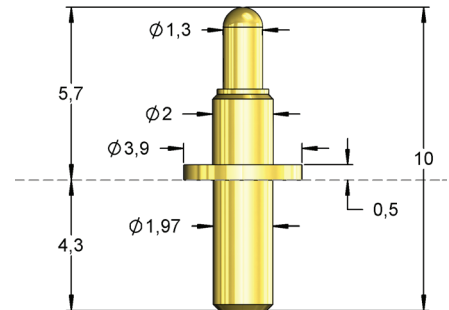
Materials and Plating

Plunger	BeCu, gold plated
Barrel	Brass, gold plated
Spring	Stainless steel, unplated

Drill Size (mm)

Equal barrel-Ø	1,96 - 1,97
----------------	-------------

F67211B0001G170



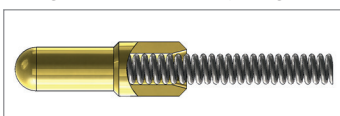
Solder Tight

F67211B0003G040

Battery Contact for Direct Soldering on PCBs

Centers (mm/mil)	4,50 / 177
Current	9,0 A
R typ	<30 mOhm
Temperature	-45°C...+200°C (H)

Design with drill hole plunger



Spring Force (cN ±20%)

Version	Preload	Nominal
Standard	20	40

Travel (mm)

Version	Nominal	Maximum
Standard	1,7	2,5

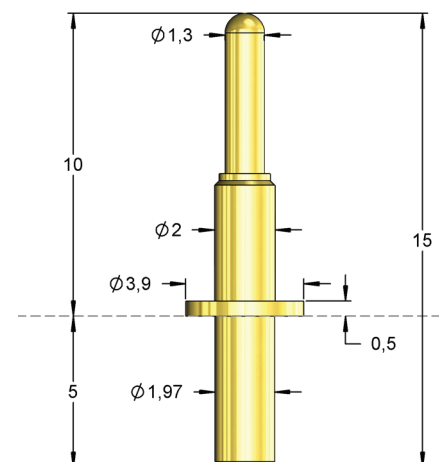
Materials and Plating

Plunger	BeCu, gold plated
Barrel	Brass, gold plated
Spring	Music wire, silver plated

Drill Size (mm)

Equal barrel-Ø	1,96 - 1,97
----------------	-------------

F67211B0003G040



Solder Tight