



F67111M1007G200

Battery Contact 106 mil for Pressing-in with Continuous Plunger

Centers (mm/mil)	5,50 / 216
Current	5,0 A
R typ	<20 mOhm
Temperature	-40°C...+200°C (H)

Spring Force (cN ±20%)

Version	Preload	Nominal
Standard	150	200

Travel (mm)

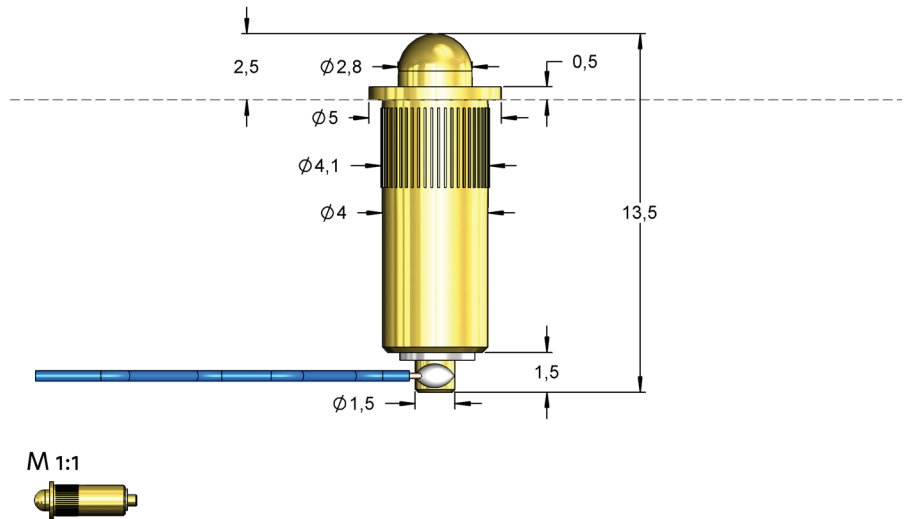
Version	Nominal	Maximum
Standard	1,5	2,0

Materials and Plating

Plunger	Brass, gold plated
Barrel	Brass, gold plated
Spring	Stainless steel, unplated

Drill Size (mm)

F67111M1007G200	4,01 - 4,08
-----------------	-------------



F67111M1007U150

Battery Contact 106 mil for Pressing-in with Continuous Plunger

Centers (mm/mil)	5,50 / 216
Current	5,0 A
R typ	100 mOhm
Temperature	-40°C...+200°C (H)

Spring Force (cN ±20%)

Version	Preload	Nominal
Standard	100	150

Travel (mm)

Version	Nominal	Maximum
Standard	1,5	2,0

Materials and Plating

Plunger	Brass, unplated
Barrel	Brass, unplated
Spring	Stainless steel, unplated

Drill Size (mm)

F67111M1007U150	4,01 - 4,08
-----------------	-------------

