

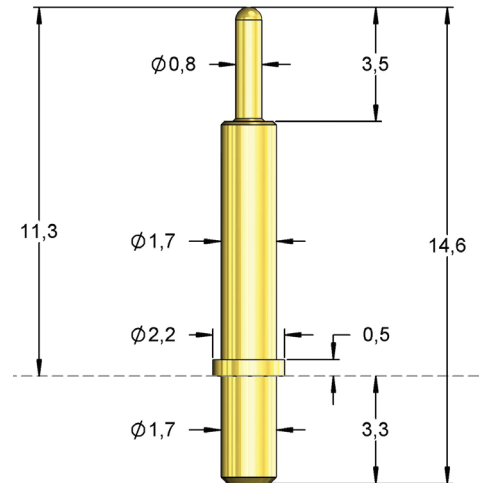
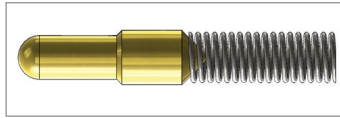
BATTERY CONTACTS

F67111B1006G450

Battery Contact for Pressing-in

Centers (mm/mil)	2,70 / 106
Current	5,0 A
R typ	<30 mOhm
Temperature	-20°C...+80°C

Design with standard plunger



Spring Force (cN ±20%)

Version	Preload	Nominal
Standard	130	450

Travel (mm)

Version	Nominal	Maximum
Standard	1,5	3,0

Materials and Plating

Plunger	BeCu, gold plated
Barrel	Brass, gold plated
Spring	Music wire, silver plated

Drill Size (mm)

F67111B1006G450	1,68 - 1,70
-----------------	-------------

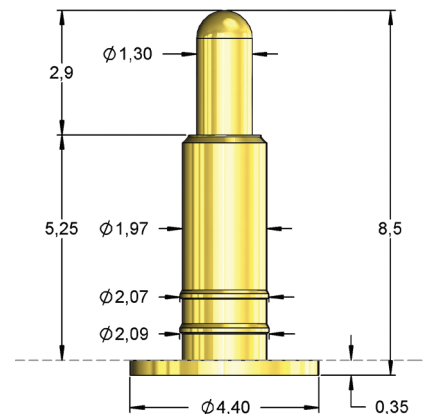
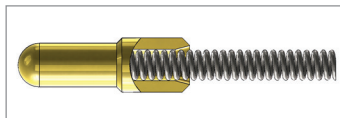
F67111B0109G130

Battery Contact for Pressing-in

NEW

Centers (mm/mil)	5,00 / 197
Current	8,0 A
R typ	<100 mOhm
Temperature	-40°C...+200°C (H)

Design with drill hole plunger



Also well suitable for direct soldering
on a PCB.

Spring Force (cN ±20%)

Version	Preload	Nominal
Standard	40	130

Travel (mm)

Version	Nominal	Maximum
Standard	1,5	2,2

Materials and Plating

Plunger	BeCu, gold plated
Barrel	Brass, gold plated
Spring	Stainless steel, unplated

Drill Size (mm)

F67111B0109G130	2,00 - 2,05
-----------------	-------------