

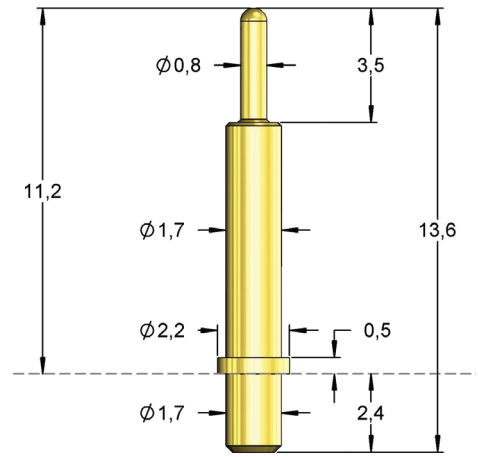
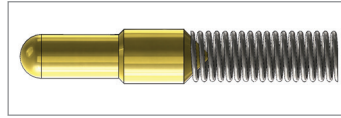
BATTERY CONTACTS

F67111B1004G230

Battery Contact for Pressing-in

Centers (mm/mil)	2,70 / 106
Current	5,0 A
R typ	<30 mOhm
Temperature	-20°C...+80°C

Design with standard plunger



Spring Force (cN $\pm 20\%$)

Version	Preload	Nominal
Standard	60	230

Travel (mm)

Version	Nominal	Maximum
Standard	2,0	3,5

Materials and Plating

Plunger	BeCu, gold plated
Barrel	Brass, gold plated
Spring	Music wire, silver plated

Drill Size (mm)

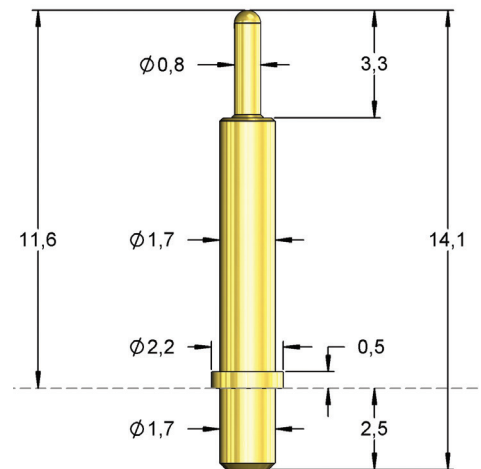
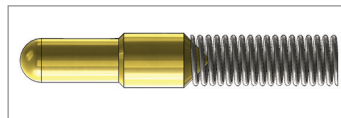
F67111B1004G230	1,68 - 1,70
-----------------	-------------

F67111B1005G450

Battery Contact for Pressing-in

Centers (mm/mil)	2,70 / 106
Current	5,0 A
R typ	<30 mOhm
Temperature	-20°C...+80°C

Design with standard plunger



Spring Force (cN $\pm 20\%$)

Version	Preload	Nominal
Standard	130	450

Travel (mm)

Version	Nominal	Maximum
Standard	1,5	3,0

Materials and Plating

Plunger	BeCu, gold plated
Barrel	Brass, gold plated
Spring	Music wire, silver plated

Drill Size (mm)

F67111B1005G450	1,68 - 1,70
-----------------	-------------