



F620

Short Travel Probe 100 mil

Centers (mm/mil)	2,54 / 100
Current	8,0 A
R typ	<30 mOhm
Temperature	-45°C...+200°C (H)

Spring Force (cN ±20%)

Version	Preload	Nominal
Standard	40	75
Standard	50	130

Travel (mm)

Version	Nominal	Maximum
Standard	1,3	1,6
Pointing Accuracy		±0,08 mm

Materials and Plating

Plunger	see Tip Style
Barrel	Bronze, gold plated
Spring	Stainless steel, silver plated

Drill Size (mm)

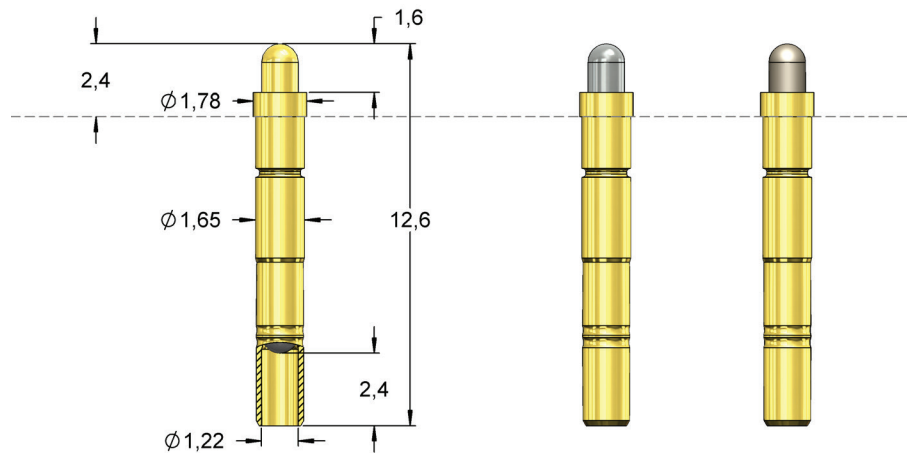
F620...	1,63 - 1,65
---------	-------------

Projection Height (mm)

F620...	2,4
---------	-----

Series	Tip-Ø	Spring Force (cN)
F620 11 S 120 L 130		
Tip Style	Material	Plating
Version		

Material: S = Steel
Tip-Ø: 120 = 1,20 mm (e.g.)
Plating: L = Longtime gold plated, N = Nickel, R = Rhodanized
Receptacle: Order code according drawing



Solder Tight

Tip Style	Number	Material	Ø in mm	Plating	Version
	01	S	1,20	L	-
	11	S	1,20	L	-
	11	S	1,20	N	-
	11	S	1,20	R	-

F69911S120L130

Short Travel Probe 100 mil

Centers (mm/mil)	2,54 / 100
Current	8,0 A
R typ	<30 mOhm
Temperature	-45°C...+200°C (H)

Spring Force (cN ±20%)

Version	Preload	Nominal
Standard	50	130

Travel (mm)

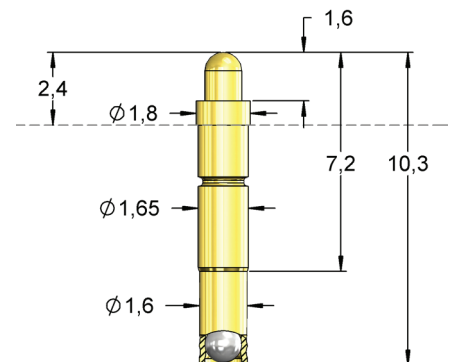
Version	Nominal	Maximum
Standard	1,3	1,6
Pointing Accuracy		±0,08 mm

Materials and Plating

Plunger	Steel, gold plated
Barrel	Bronze, gold plated
Spring	Stainless steel, unplated

Drill Size (mm)

F699...	1,63 - 1,65
---------	-------------



Solder Tight