

FINE PITCH PROBES

F252

Fine Pitch Probe Double Plunger Probe

Centers (mm/mil)	1,00 / 39
Current	1,5 A
R typ	<75 mOhm
Temperature	-20°C...+80°C

Spring Force (cN ±20%)

Version	Preload	Nominal
Standard	30	85

Travel (mm)

Version	Nominal	Maximum
Standard	2,0	2,5

Materials and Plating

Plunger	see Tip Style
Barrel	Bronze, silver plated
Spring	Music wire, silver plated

Accessories

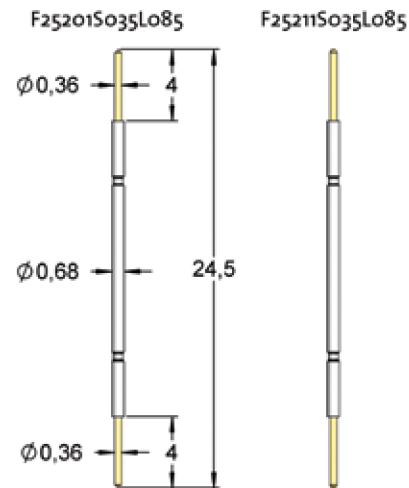
Insertion tool receptacle	FEWZ-109E0
Insertion tool probe	FDWZ-050

Drill Size (mm)

F252	0,69 - 0,71
------	-------------

Projection Height (mm)

F109 with receptacle H109...	4,0
------------------------------	-----



For fine pitch component test or board test with very small centers.

Series	Tip-Ø TS1	Spring Force (cN)
F252 01	S 036	L 085
TS1	Material	Plating
		Version

Material: S = Steel
Tip-Ø: 036 = 0,36 mm (e.g.)
Plating: L = Longtime gold plated

Tip Style	Number	Material	Ø in mm	Plating	Version
	01	S	0,36	L	-
	11	S	0,36	L	-
	18	S	0,36	L	-