

THREADED PROBES

F176

Threaded Probe 75 mil Short Version

Centers (mm/mil)	1,90 / 75
Current	4,0 A
R typ	20 mOhm
Temperature	-20°C...+80°C

Spring Force (cN ±20%)

Version	Preload	Nominal
Standard	30	80
Standard	85	150

Travel (mm)

Version	Nominal	Maximum
Standard	2,4	3,0
Thread (M)		1,0
Wrench Size		1,0
Pointing Accuracy		±0,08 mm

Materials and Plating

Plunger	see Tip Style
Barrel	Brass, gold plated
Spring	Music wire, silver plated
Receptacles	Brass, gold plated

Accessories

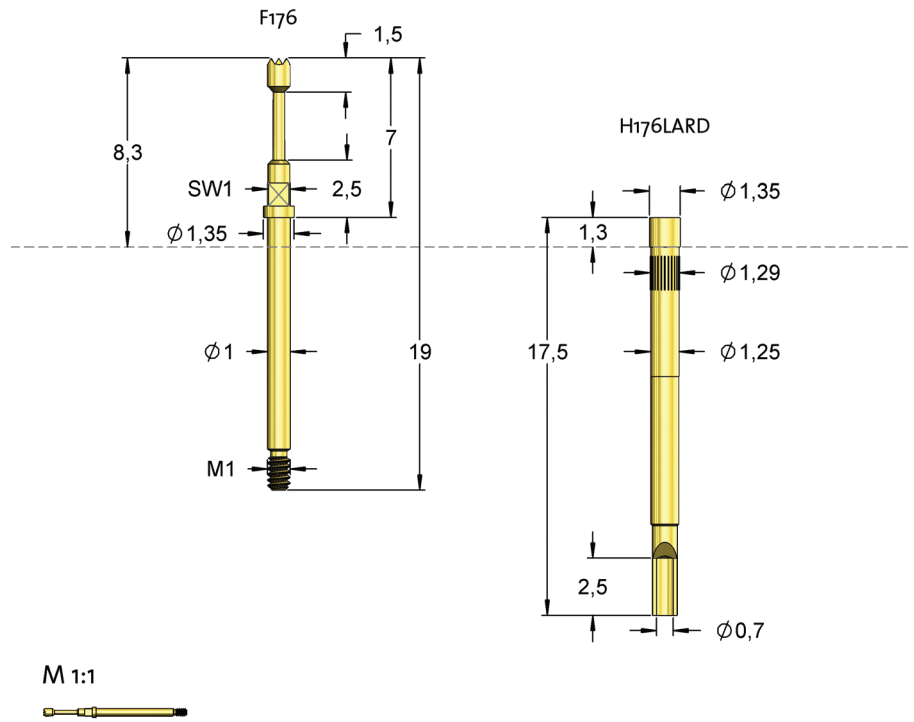
Insertion tool receptacle	FEWZ-075E0
Screw-in tool probe max. Tip-Ø 1,5 mm	FWZ730S1; FWZ730T1

Drill Size (mm)

H176LARD	1,25 - 1,27
----------	-------------

Projection Height (mm)

H176LARD with F176	8,3
--------------------	-----



Series	Tip-Ø	Spring Force (cN)
F176	06	080
Tip Style	Material	Plating
B	100	G
Version		

Material:	B = BeCu
Tip-Ø:	100 = 1,00 mm (e.g.)
Plating:	G = Gold plated
Receptacle:	Order code according drawing

Tip Style	Number	Material	Plating	Ø in mm	Version
	06	B	G	1,00	-
	11	B	G	0,40	-
	11	B	G	0,50	-
	12	B	G	0,65	-
	17	B	G	1,00	-
	18	B	G	0,45	-