

## F051

### Probe 50 mil Long Travel Version

<b>Centers (mm/mil)</b>	1,27 / 50
<b>Current</b>	3,0 A
<b>R typ</b>	40 mOhm
<b>Temperature</b>	-20°C...+80°C

#### Spring Force (cN ±20%)

Version	Preload	Nominal
Standard	35	150

#### Travel (mm)

Version	Nominal	Maximum
Standard	8,0	10,0
Pointing Accuracy		±0,05 mm

#### Materials and Plating

Plunger	see tip style
Barrel	Bronze, gold plated
Spring	BeCu, gold plated
Receptacle	Bronze, gold plated

#### Accessories

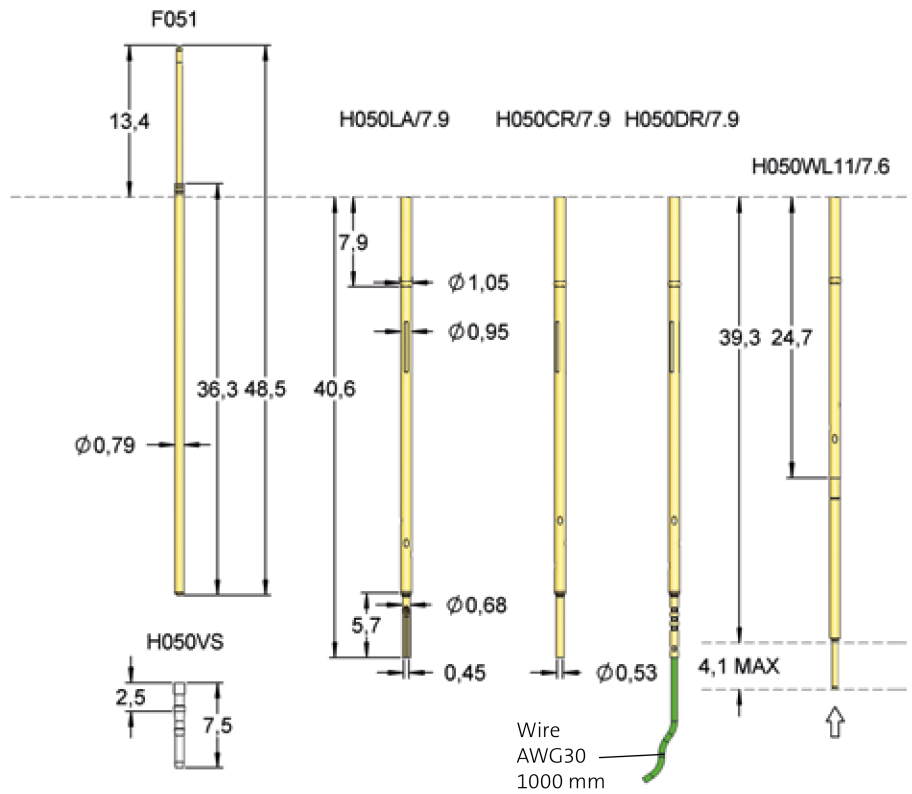
Insertion tool receptacle	FEWZ-050EV
Insertion tool receptacle	FEWZ-050E0
Insertion tool probe	FDWZ-050
Plug lock	H050VS

#### Drill size (mm)

Receptacle Press ring as stop	0,95 - 0,97
Receptacle Press ring inserted	0,98 - 1,01

#### Projection Height (mm)

H050... with F051	13,4 - 21,3
H050WL11/7.6 with F051	23,8 - 31,7



M 1:1



The F051 is the long travel version of the F050. These probes can be combined well in dual stage fixtures.

Series	Tip-Ø	Spring Force (cN)
<b>F051</b>	<b>11 B 050 G</b>	<b>150</b>
Tip Style	Material	Plating
Version		

<b>Material:</b>	B = BeCu, S = Steel
<b>Tip-Ø:</b>	050 = 0,50 mm (e.g.)
<b>Plating:</b>	G = Gold plated, L = Longtime Gold plated, P = Functional coating
<b>Receptacle:</b>	Order Code according drawing

Tip Style	Number	Material	Plating	Ø in mm	Version
	11	B	G	0,50	-
	21	S	L	0,50	-
	43	S	L	0,50	-
	43	S	P	0,50	-