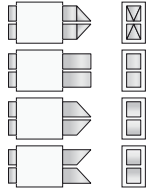


BI-AXIAL CO-AXIAL

Spring Force (xx)

Preload	Rated Force	Code
0,20 N	0,50 N	SPL
0,35 N	0,76 N	SPS
0,50 N	1,20 N	SPH



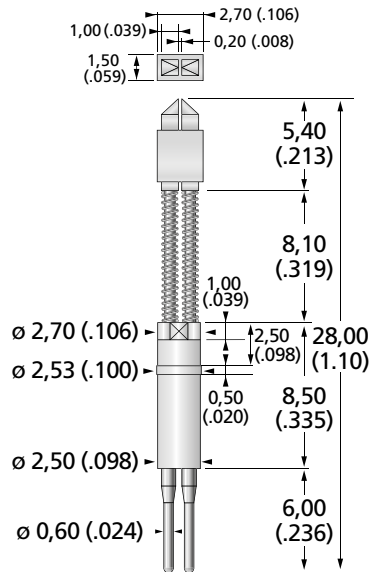
BA10(1)-QAW

BA10(1)-QFW

BA10(1)-QNW

BA10(1)-QNW-R

BA10



BA10

Technical Data

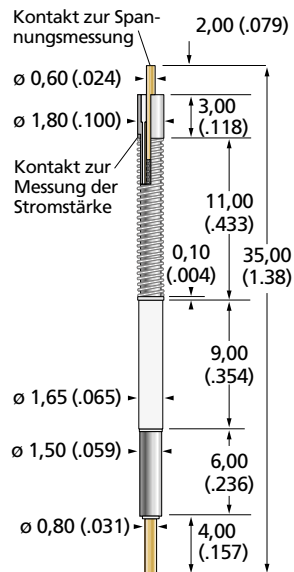
Overall Length	28,00 mm
Minimum Centre Spacing	3,00 mm
Spring Force	0,76 N
Maximum Travel	4,50 mm
Working Travel	3,00 mm
Up to	+60°C
Typical Resistance	20 mΩ
Current rating	2,0 A

Materials

Plunger	Steel, Nickel-Rhodium plated
Spring	Music wire, silver plated

Terminal for crimping or soldering available.

CA20



CA20

Technical Data

Overall Length	35,00 mm
Minimum Centre Spacing	2,80 mm
Spring Force	1,95 N
Maximum Travel	2,00 / 4,50 mm
Working Travel	0,70 / 3,00 mm
Up to	60°C
Typical Resistance	15 mΩ
Current rating	3,0 A

Materials

Plunger	Steel, gold plated
Spring	Music wire, silver plated

Further variations with different diameters available on request.

Kelvin contacts for fine pitch applications

On page 97 you will find special finepitch kelvin contacts for applications with pitches of 0.40 mm and 0.50 mm.