



1860C008

**High Current Probe 984 mil
up to 250 A
Coaxial Design**

Centers (mm/mil)	25,0 / 984
Current (Circular)	300,0 A
Current (Internal)	2,0 A
R typ (circular/internal)	<1/20 mOhm
Temperature	-45°C...+200°C (H)

Spring Force (cN ±20%)

	Preload	Nominal
Total	-	7350
Sensor	-	200
Internal Cont.	60	150
Circular Cont.	1000	7000

Travel (mm)

Version	Nominal	Maximum
Internal Cont.	4,0	5,0
Circular Cont.	5,6	7,0
Thread (M)		10,0
Wrench Size		19,0 / 16,0
Pointing Accuracy		< 2°

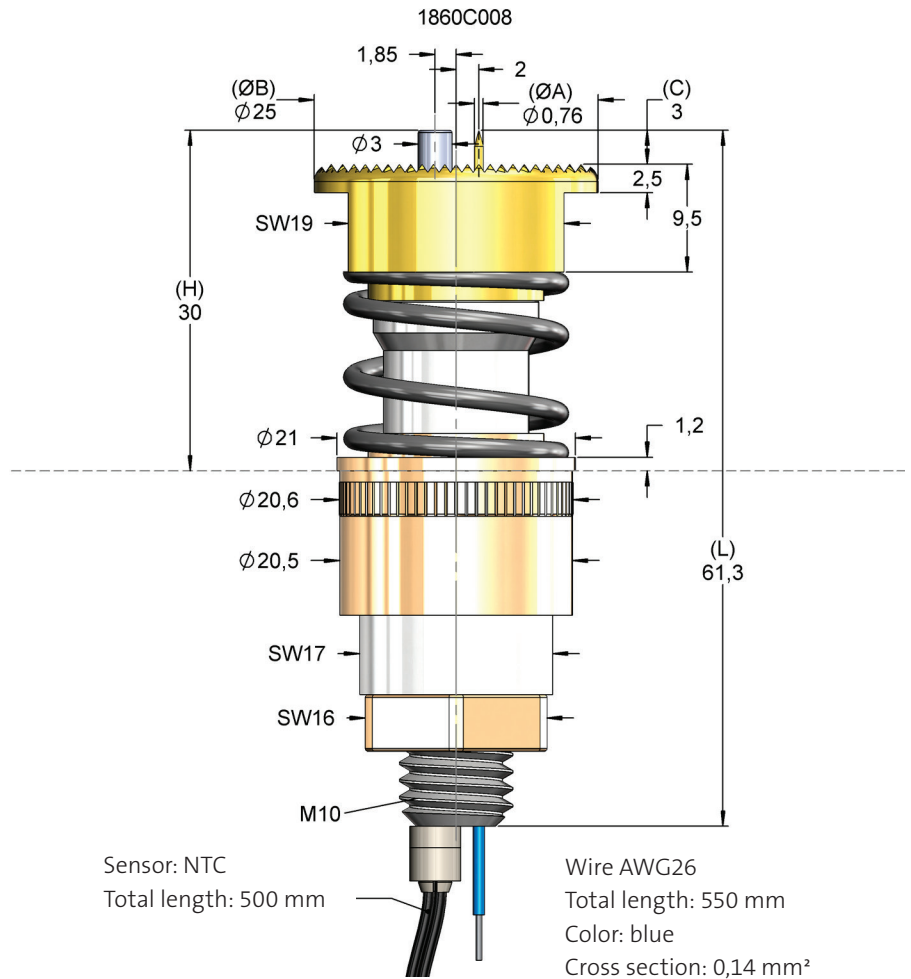
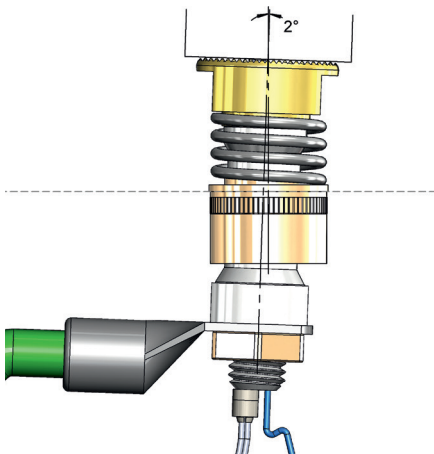
Materials and Plating

Internal Cont.	BeCu, gold plated
Circular Cont.	BeCu, gold plated
Barrel	Brass, unplated
Spring	
Internal Cont.	Stainless steel, unplated
Spring	
Circular Cont.	Stainless steel, unplated

Drill Size (mm)

Barrel with knurl	20,55 - 20,60
-------------------	---------------

Contacting an inclined surface

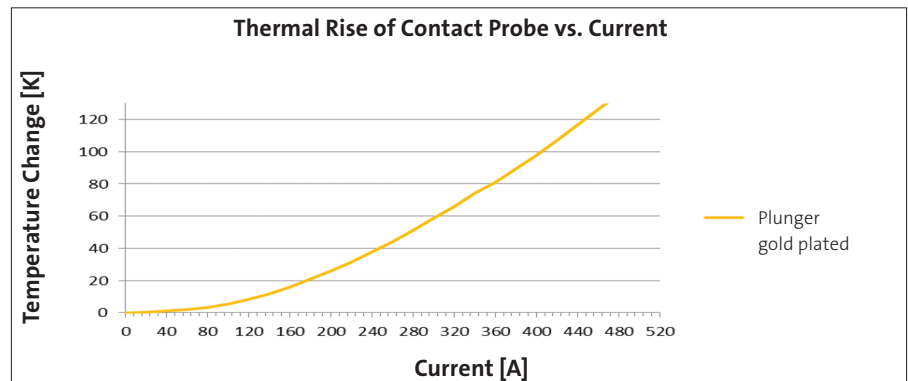
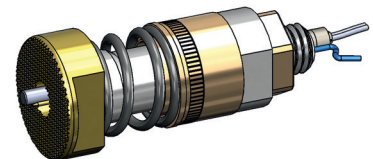


The 1860C008 adapts to an up to 2 degree inclined surface.
The M5 thread can be mounted with a counternut to a cable eye.

Sensor specifications:

NTC Mini sensor TP-MI-2.0-NTC5
(alternatively thermocouple possible)
Switch type: 2-wire Teflon strand
Protection sleeve: 3x12 mm stainless steel
Protection class: IP68

M 1:1



Order Code	Sense Pin	Tip Style	Ø A	Ø B	C	H	L	Version	Screw-in Tool
1860C008		07	7,40	20,00	3,50	30,50	61,80	C	-