

HIGH CURRENT PROBES

1860C004

High Current Probe 984 mil up to 250 A Coaxial Design

Centers (mm/mil)	25,0 / 984
Current (Circular)	250,0 A
Current (Internal)	5,0 A
R typ (circular/internal)	<1/20 mOhm
Temperature	-40°C...+200°C (H)

Spring Force (cN ±20%)

	Preload	Nominal
Total	-	3150
Internal Cont.	130	300
Circular Cont.	1000	2850

Travel (mm)

Version	Nominal	Maximum
Internal Cont.	2,8	3,5
Circular Cont.	5,6	7,0
Thread (M)		10,0
Wrench Size		19,0
Pointing Accuracy		< 2°

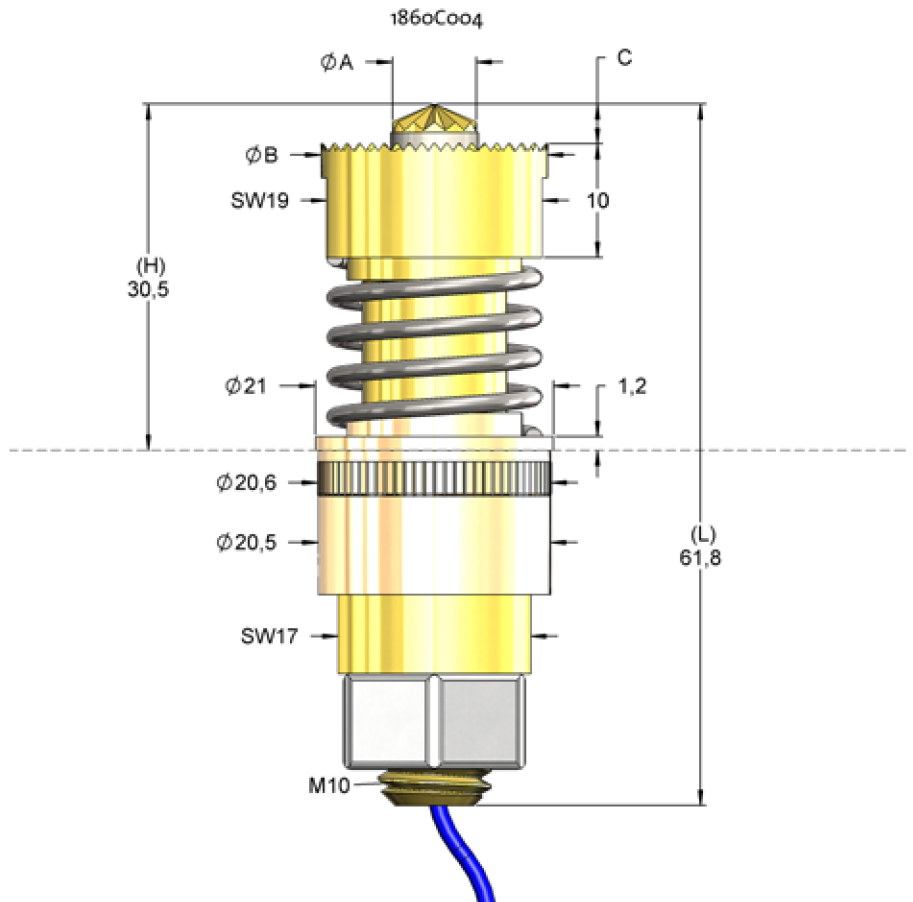
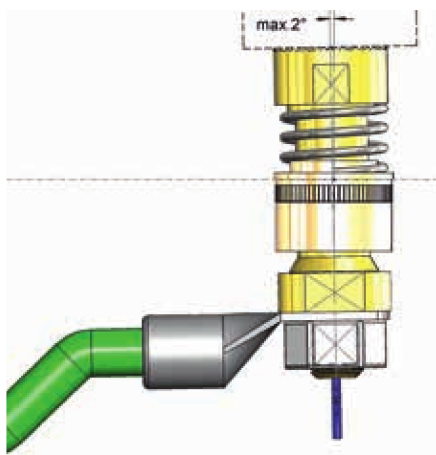
Materials and Plating

Internal Cont.	BeCu, gold plated
Circular Cont.	Brass, gold plated
Barrel	Brass, unplated
Spring Internal Cont.	Stainless steel, unplated
Spring Circular Cont.	Stainless steel, unplated

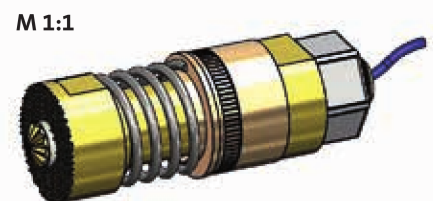
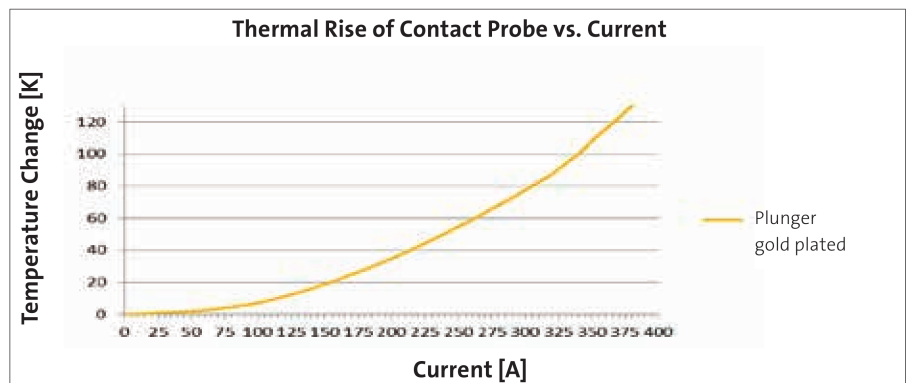
Drill Size (mm)

Barrel with knurl	20,55 - 20,60
-------------------	---------------

Contacting an inclined surface



Der 1860C007 adapts to an up to 1,5 degree inclined surface. The M5 thread can be mounted with a counternut to a cable eye.



Order Code	Sense Pin	Tip Style	Ø A	Ø B	C	H	L	Version	Screw-in Tool
1860C004		07	7,40	20,00	3,50	30,50	61,80	C	-